

Urology

1	<i>Cystoscopes</i>
2	<i>Urethrotomes</i>
3	<i>Resectoscopes</i>
4	<i>Electrosurgery</i>
5	<i>Uretero-Renoscopes</i>
6	<i>Nephroscopes</i>
7	<i>Lithotripsy (UreTron)</i>
8	<i>Laser Therapy</i>
9	<i>Small Caliber</i>
10	<i>Fluid Management</i>
11	<i>Accessories</i>

Richard Wolf Medical Instruments Corporation assumes no responsibility or liability for any errors or omissions in the content of this catalog. The information contained in this catalog is provided on an "as is" basis with no guarantees of completeness, accuracy, usefulness, or timeliness, and without warranties of any kind whatsoever, expressed or implied.

E-line












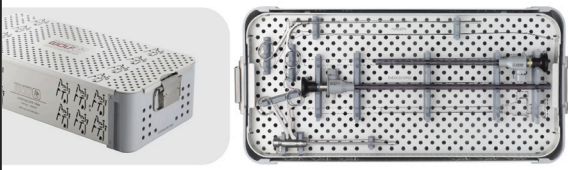
Cysto-Urethroscopes 8650

E-line design

The E-line design guarantees optimum handling and safe, fatigue-free operation as well as a wide range of possible combinations.

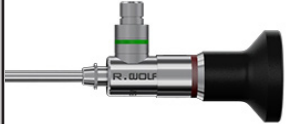







Basic Set for Cystoscopy

	Cysto-urethroscope sheath, 19.5 Fr. with obturator	8650.0341
	Adapter with 1 instrument port	8650.264
	Insert with Albarran deflector, 2 instrument ports	8650.204
	Sterile universal sealing valve (pack of 5)	4712348
	Viewing obturator	8650.724
	Biopsy forceps Marburg	8650.614
	Grasping forceps	8650.684
	PANOVIEW telescope, 0°	8650.414
	PANOVIEW telescope, 70°	8650.415
	Otis urethrotome	8517.00
	Flexible connector	822.31 822.13
	Tray	8585030

PANOVIEW Telescopes

Overview

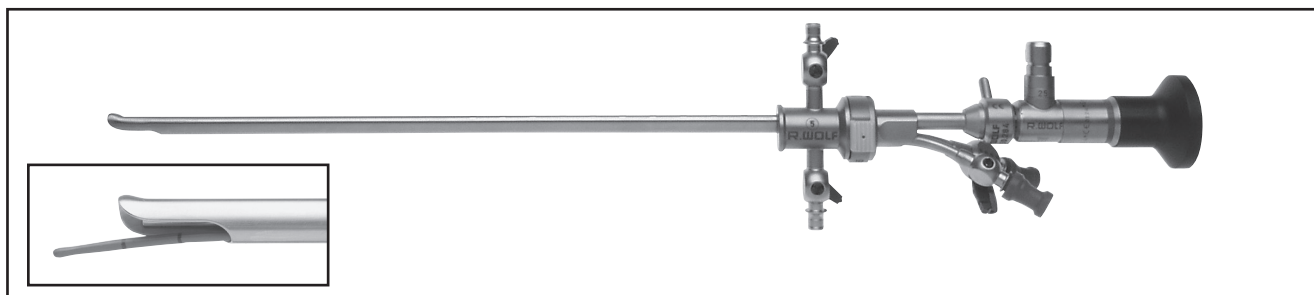
Viewing direction	Color code	Application	Ø mm	 
0°	 blue	Standard	4	8650.414
12°	 orange	Standard	4	8654.431
30°	 red	Standard	4	8654.422
		Long sheath	4	8668.433*
70°	 yellow	Standard	4	8650.415





* Only 25° available.

Cysto-Urethroscope


8650 *E-line*

for telescope 4 mm, 0°, 12°, 30°, 70° and adapters



Sheaths and obturators							Adapters		
									
Sheath incl. obturator	Sheath single	Horizontal Stopcocks	Obturator single	Fr.	Color code	Capacity (Fr.)	only for examination	1 Instrument port	2 Instrument ports
8650.0141	8650.0145	N/A	8650.0147	16	yellow	1x5*	8650.254	8650.264	8650.284
8650.0241	8650.0245	8650.0245S01	8650.0247	17.5	green	1x5 or 2x4			
8650.0341	8650.0345	8650.0345S01	8650.0347	19.5	red	1x7 or 2x5			
8650.0441	8650.0445	8650.0445S01	8650.0447	21	blue	1x10 or 2x6			
8650.0541	8650.0545	8650.0545S01	8650.0547	23	white	1x12 or 2x7			
8650.0641	8650.0645	N/A	8650.0647	25	black	1x15			

* for urethroscopy (cystoscopy for diagnosis only with adapter 8650.254)

∅	Viewing direction	Types	PANOVIEW telescopes
4 mm	0°	8650.414	
	12°	8654.431	
	30°	8654.422	
	70°	8650.415	



Accessories:

Fiber light cable set, ∅ 2.5 mm, 3.0 m long **806625301**

Consisting of:

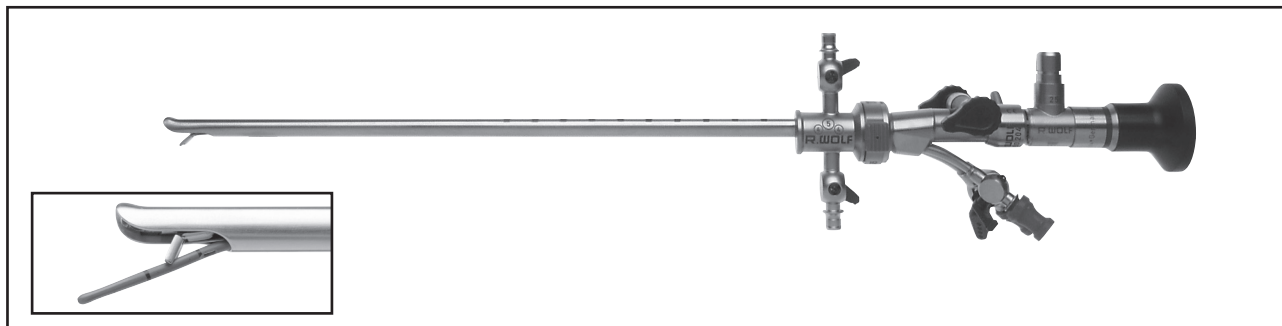
Fiber light cable (80662530), adapter projector side (8095.07) and adapter endoscope side (809509)




Viewing obturators see page 8.


Cysto-Urethroscope

8650 *E-line*

for telescope 4 mm, 30°, 70° and inserts with Albarran deflector



Sheaths and obturators						Inserts with Albarran deflector			
									
						Sheath incl. obturator	Sheath single	Obturator single	Fr.
8650.0241	8650.0245	8650.0247	17.5	green	1x5 or 2x4	8650.214	8650.204		
8650.0341	8650.0345	8650.0347	19.5	red	1x7 or 2x5				
8650.0441	8650.0445	8650.0447	21	blue	1x10 or 2x6				
8650.0541	8650.0545	8650.0547	23	white	1x12 or 2x7				

Ø	Viewing direction	Types	PANOVIEW telescopes
4 mm	30°	8654.422	
	70°	8650.415	

Accessories:

Fiber light cable set, Ø 2.5 mm, 3.0 m long **806625301**

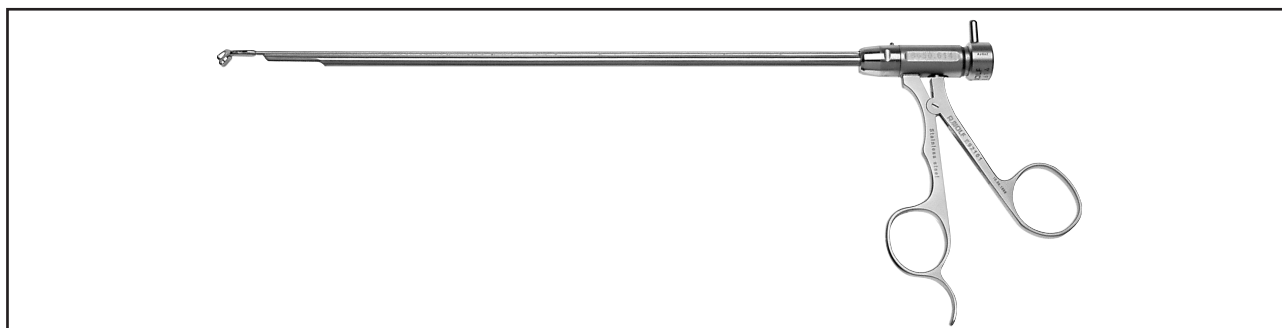
Consisting of:








Fiber light cable (80662530), adapter projector side (8095.07) and adapter endoscope side (809509)



Viewing obturators see page 8.

Optical forceps and scissors for cysto-urethroscope 8650 with telescope 4 mm, 0°

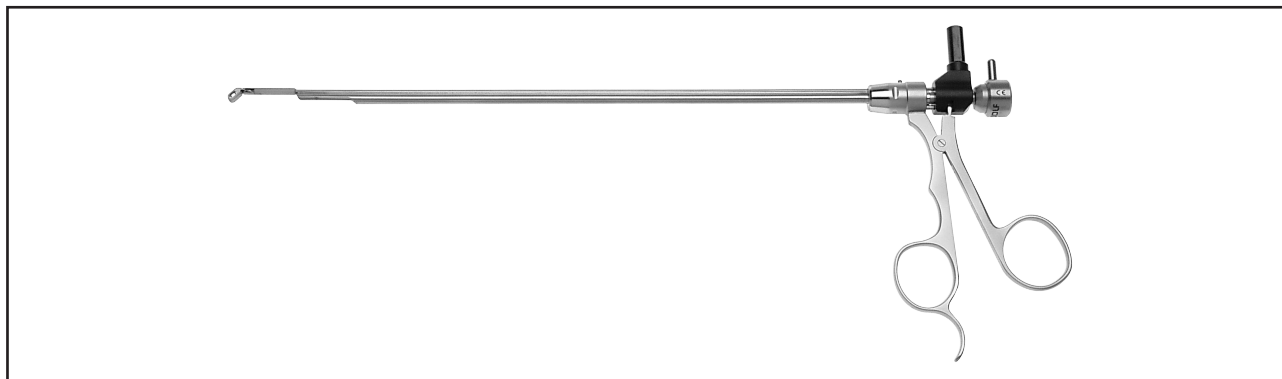



			for Sheaths from	Types
Biopsy forceps spoon shaped jaws, both opening			19.5 Fr.	8650.604
Biopsy forceps "Marburg", cutting action		The close proximity of the jaws to the telescope allows biopsies to be performed even in the area around the neck of the bladder.	19.5 Fr.	8650.614
Biopsy forceps with spoon-shaped jaws, retrograde cutting action		For biopsies in the transition area bladder neck / upper wall, as well as in the distal urethra.	19.5 Fr.	8650.774
Scissors		For opening ureteroceles, for cutting intruding sutures, for the removal of polyps at their base and for slitting the ostia.	19.5 Fr.	8650.644
Grasping forceps both jaws opening			19.5 Fr.	8650.684
Foreign body forceps		For crushing small soft calculi.	19.5 Fr.	8650.654
Stone grasping forceps		For small stones and for removing stone fragments.	23 Fr.	8650.664

Optical coagulating biopsy forceps

for cysto-urethroscope 8650

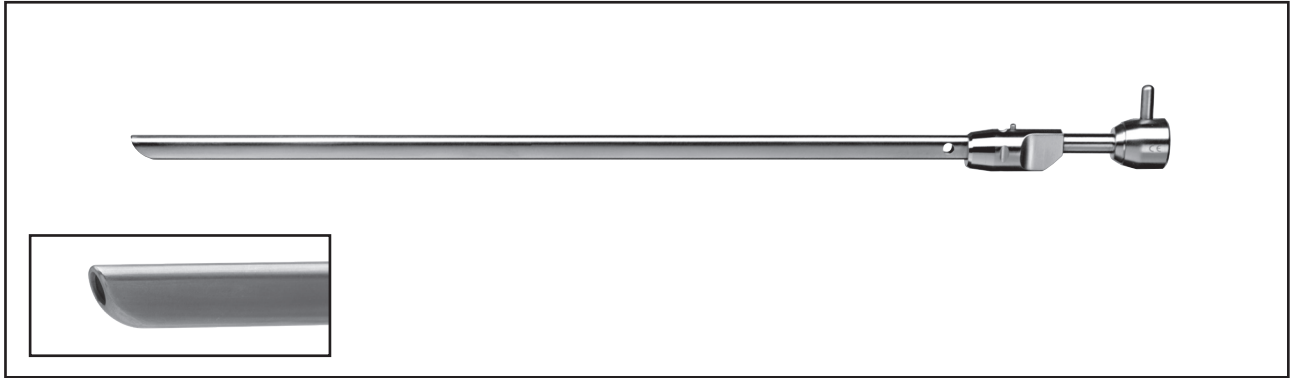
with telescope 4 mm, 0°




		for Sheaths from	Type
Coagulating biopsy forceps by Tauber 	For combined biopsy and hemostasis. Suitable for bladder mapping and quadrant biopsy. Instant hemostasis without changing instruments and time-consuming reorientation.	21 Fr.	8650.624

HF connecting cable see page 53.

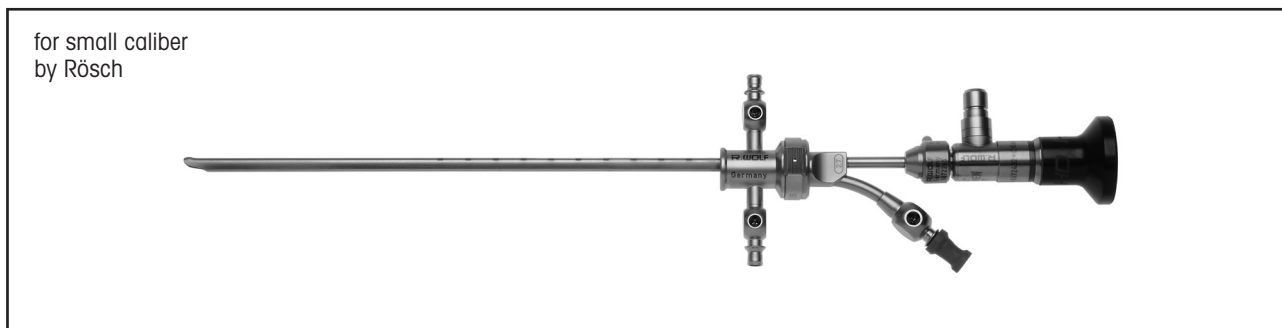
Viewing obturators for insertion
of the sheath under vision
with telescope 4 mm from 0° to 30°







	for Sheaths	Type
Viewing obturator 	17.5 Fr.	8650.714
	19.5 Fr.	8650.724
	21 Fr.	8650.734
	23 Fr.	8650.744

U-Care

Cysto urethroscope



Cysto-Urethroscope Sheath						Adapter
consisting of: Cysto-Urethroscope sheath, obturator and Luer lock connector (886.00)						
	Sheath single	Obturator single	Fr.	Color code	Capacity (Fr.)	1 Instrument port
86720251	86720255	86720257	12.5	green	5 Fr.	8672265
86720451	86720455	86720457	14.5	white	7 Fr.	

Ø	Viewing direction	Type	PANOVIEW telescope, distortion-free
2.7 mm	30°	8672432	 




Accessories:

Fiber light cable set, Ø 2.5 mm, 3.0 m long **806625301**

Consisting of:

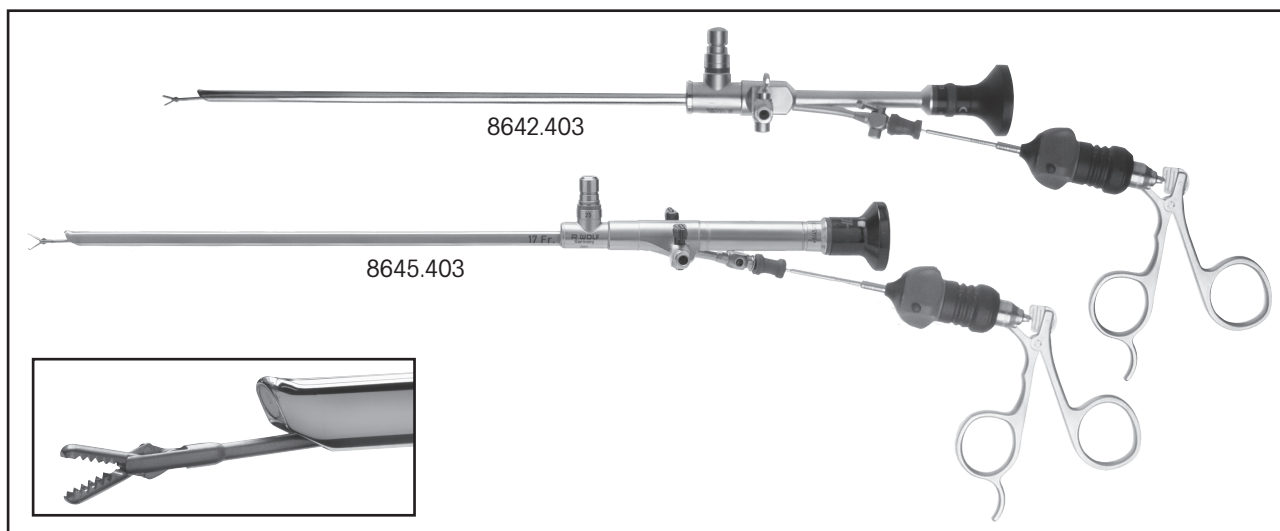
Fiber light cable (80662530), adapter projector side (8095.07) and adapter endoscope side (809509)

Flexible accessory instruments

		mm	Fr.	Types
	Flexible biopsy forceps	315	5 Fr.	829.05
		375	7 Fr.	829.07
	Flexible foreign body forceps	315	5 Fr.	828.05
		365	7 Fr.	828.07
	Flexible scissors with indented edge	375	7 Fr.	830.07

Atraumatic compact cysto-urethrosopes

14, 17 Fr., 25°



For clinique and practice

- ❑ Outpatient urethro-cystoscopy, with less stress on the patient
- ❑ Biopsy specimens even from the prostate area
- ❑ Foreign body extraction (e.g. removal of stents)
- ❑ Retrograde manipulation
- ❑ Treatment of strictures
- ❑ Powerful PANOVIEW PLUS telescope, 25° viewing direction, panoramic field of view, exceptional detail
- ❑ Specially shaped atraumatic distal tip
- ❑ Compact and sturdy construction

Compact cysto-urethroscope, atraumatic	WL	Fr.	for accessory instruments	Shape	Telescope 25°
8642.403	218 mm	14	up to 5 Fr.	oval	PANOVIEW Plus with enlarged image and object field
8645.403	225 mm	17	up to 7 Fr.	oval	

Accessories:

Fiber Light Cable Bundle, Ø 2.5 mm, 3.0 m long **806625301**




consisting of:

Fiber light cable (80662530), adapter projector side (8095.07) and adapter endoscope side (809509)

Accessory instruments see next page.

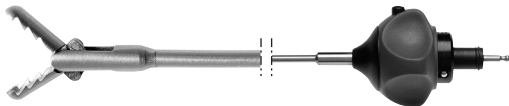






Flexible accessory instruments

for atraumatic compact
cysto-urethrosopes 14, 17 Fr., 25°

		mm	Fr.	Types
	Flexible biopsy forceps	315	5 Fr.	829.05
		375	7 Fr.	829.07
	Flexible foreign body forceps	315	5 Fr.	828.05
		365	7 Fr.	828.07
	Flexible scissors with indented edge	375	7 Fr.	830.07

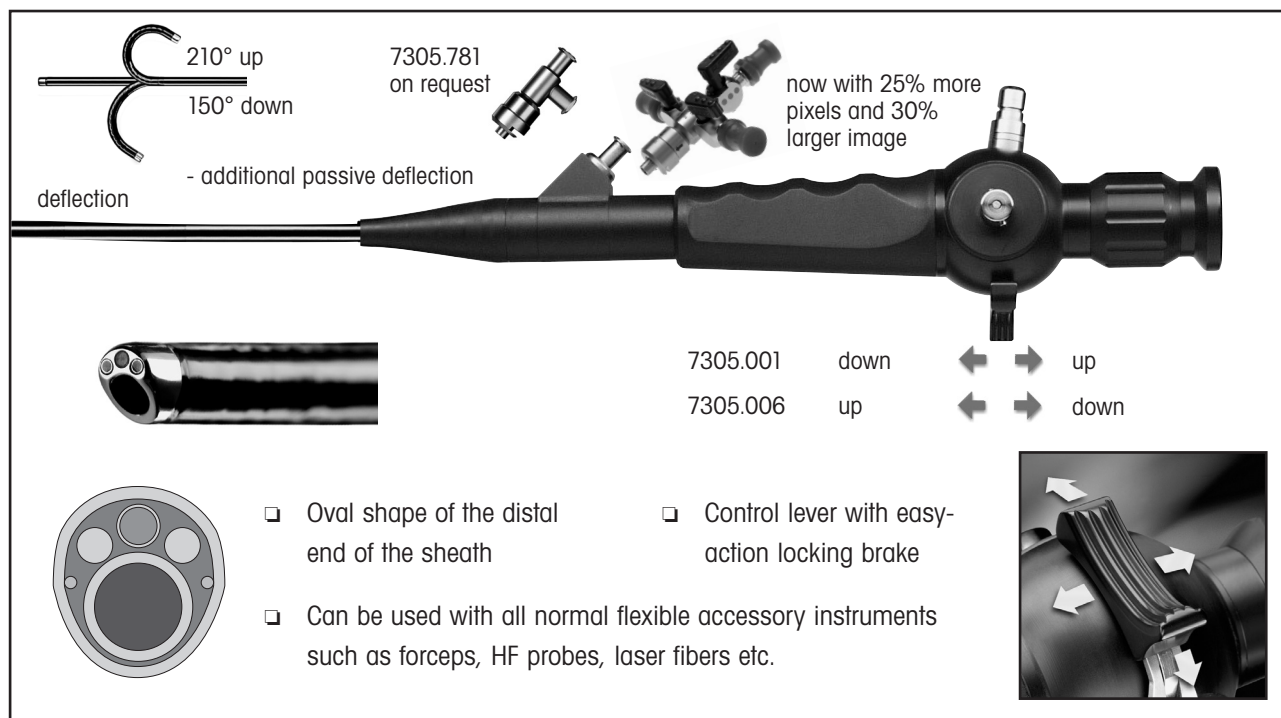
Rigid accessory instruments

for atraumatic compact cysto-urethrosopes 14, 17 Fr., 25°
micro modular system **HySafe**

Insert with sheath					Handle with overload protection 	Complete instrument • Insert with sheath • Handle Types
	Recommended fields of application	Types	Fr.	WL		
Grasping forceps with alligator jaws 	Cystoscopy	8642.6508	5 Fr.	340	8083.001	8642.6502
Biopsy forceps, spoon 		8645.6508	7 Fr.	325		8645.6502
Biopsy forceps 		8642.6008	5 Fr.	340		8642.6002
Biopsy punch 		8645.6008	7 Fr.	325		8645.6002
Micro scissors 		8642.6318	5 Fr.	340		8642.6312
		8642.6818	5 Fr.	340		8642.6812

- ❑ Flushable – optimum internal cleaning
- ❑ Easy-Click – easy and fast assembly
- ❑ Overload protection – significantly longer life

Flexible fiber-urethro-cystoscope 5 mm / 15 Fr. Channel 2.5 mm / 7.5 Fr.



- Safe and atraumatic passage through the urethra is provided by the oblique distal tip
- Reduced weight and ergonomic design for optimal handling and less strain on the operator
- 0° viewing direction, 120° angle of view

Flexible fiber-urethro-cystoscope set	included in set Fiber-urethro-cystoscope	Outer diameter	Instrument channel	Working length	Set
consisting of: Fiber-urethro-cystoscope, instrument port (7305.782), leak tester (163.903), gas sterilization valve (163.904), disposable cleaning brush (7990002), case	7305.001	5 mm / 15 Fr.	2.5 mm / 7.5 Fr.	400 mm	Forward movement of the control lever provides downward movement of the tip 730500111
	7305.006				Forward movement of the control lever provides upward movement of the tip 730500611

Accessories:

Fiber light cable set, Ø 2.5 mm, 3.0 m long **806625301**

Consisting of:

Fiber light cable (80662530), adapter projector side (8095.07) and adapter endoscope side (809509)

Accessory instruments for flexible fiber-urethro-cystoscope

ENDOCAM® Logic 4k Camera Controller Bundle

can also be used with Pendual Camera Head 552530115

LCD MONITOR 4K 31"

for pin-sharp endo images LMD-X310MD






optional:

Monitor Stand 5370.0190

Flexible Fiberscope Tray..... 85850302

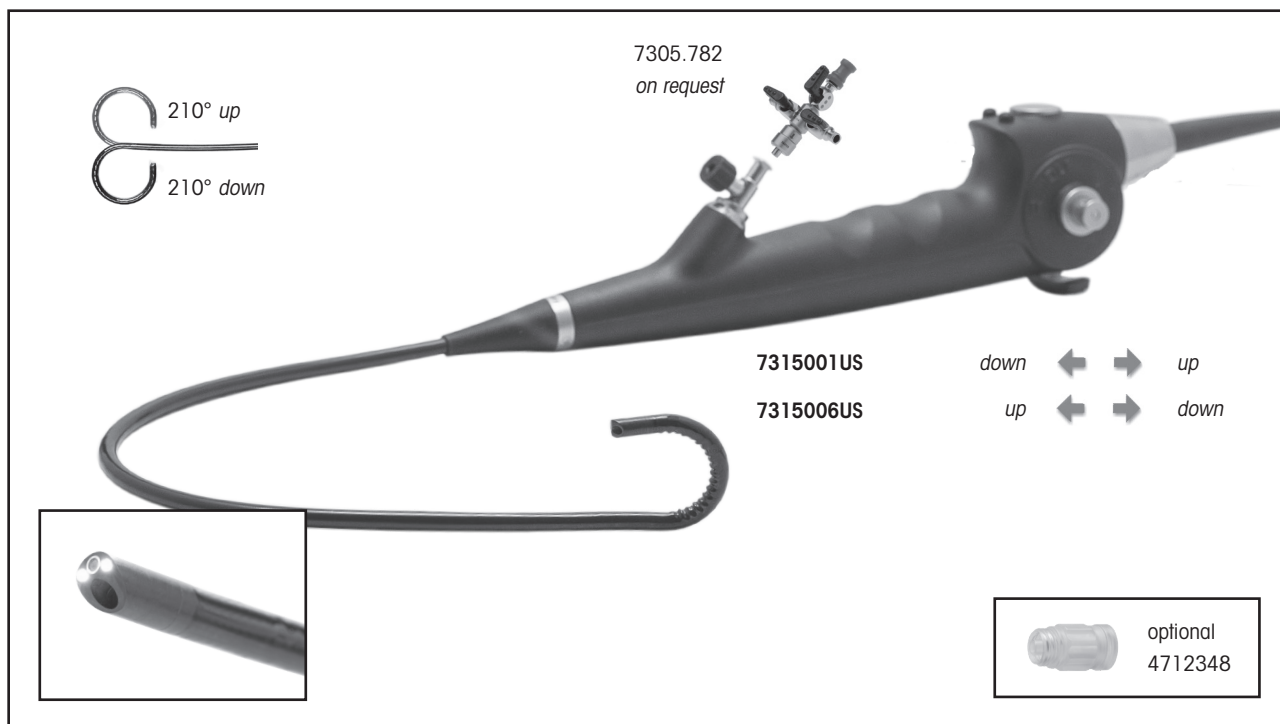


Accessory instruments for flexible fiber-urethro-cystoscope

	Ø	WL	Types
Biopsy forceps Extra long jaws to obtain a larger specimen 	5 Fr.	550 mm	829.051
Mouse-tooth grasping forceps , Safe and effective grasping with mouse-tooth geometry 	5 Fr.	550 mm	8735.685
	6.5 Fr.	550 mm	8736.685
Attachment with 2 Luer connectors, quick-lock mechanism 			7305.781
also: Luer sealing cap 			15023205
for inserting accessory instruments of 1 – 6 Fr. Sterile universal sealing valve (pack of 5) 			4712348

MAMBA vision

Flexible sensor cystoscope



- ❑ Patient friendly thanks to extremely thin and highly flexible outer sheath
- ❑ High level of irrigation performance on account of the 7.5 Fr. working channel
- ❑ Excellent image quality and outstanding illumination by means of two distally integrated LEDs
- ❑ 210° articulation upward/downward
- ❑ No separate light source and light cable necessary
- ❑ Channel position for precise positioning of the auxiliary instrument at 3 o'clock

Sensor-cystoscope bndl 16.2 Ch, WL 400 mm,
 Ø 11.5/16.2 Fr., working and irrigation channel Ø 7.5 Fr.,
 viewing direction 0°, angle of view 110°
 forward movement of the control lever distally -
 articulation of the tip upwards **7315001US**
 articulation of the tip downwards **7315006US**







Sensor-cystoscope bndl
 consisting of:
 Leak tester for flex. Endoscopes (163.903)
 Pressure equalization valve (163.904)
 Luer Sealing Cap (15023205)
 Sensor-cystoscope 16.2 Fr., WL 400 mm (7315001US)
 orward movement of the control lever distally -
 articulation of the tip upwards **73150012US**

Sensor-cystoscope bndl
 consisting of:
 Leak tester for flex. Endoscopes (163.903)
 Pressure equalization valve (163.904)
 Luer Sealing Cap (15023205)
 Sensor-cystoscope 16.2 Fr., WL 400 mm (7315006US)
 forward movement of the control lever distally -
 articulation of the tip downwards **73150062US**

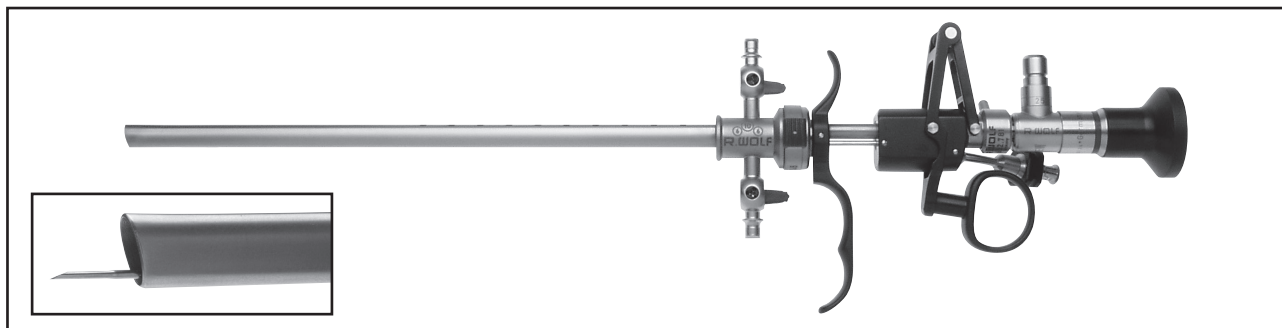
MAMBA vision

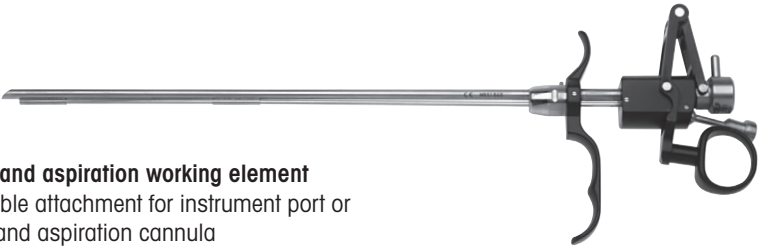



Flexible sensor cystoscope



Accessories and auxiliary instruments

	Ø	WL	Types
<p>Biopsy forceps Extra long jaws to obtain a larger specimen</p> 	5 Fr.	550 mm	829.051
<p>Mouse-tooth grasping forceps, Safe and effective grasping with mouse-tooth geometry</p> 	5 Fr.	550 mm	8735.685
<p>Adapter with instrument insertion tap</p> 			7305.782
<p>Universal sealing valve (pack of 5) for inserting auxiliary instruments of 1 – 6 Fr., sterile, for single use</p> 			4712348
<p>For closing the 2nd luer connector: Luer sealing cap</p> 			15023205
<p>Uro flex endoscope tray plastic</p> 			8585035

Set for transurethral incontinence therapy *E-line*



		Types
 <p>Injection- and aspiration working element with rotatable attachment for instrument port or injection- and aspiration cannula</p>		8652.781*
 <p>Injection- and aspiration cannula, semirigid, 3 Fr.</p>		8652.7775
<p>Insertion stopcock for accessory instruments up to 4 Fr.</p> 		8652.788
<p>Sheath with obturator 21 Fr.</p> 		8652.0441

Ø	Viewing direction	Types	PANOVIEW telescope
4 mm	30°	8654.422	 

Accessories:

Fiber light cable set, Ø 2.5 mm, 3.0 m long **806625301**

Consisting of:

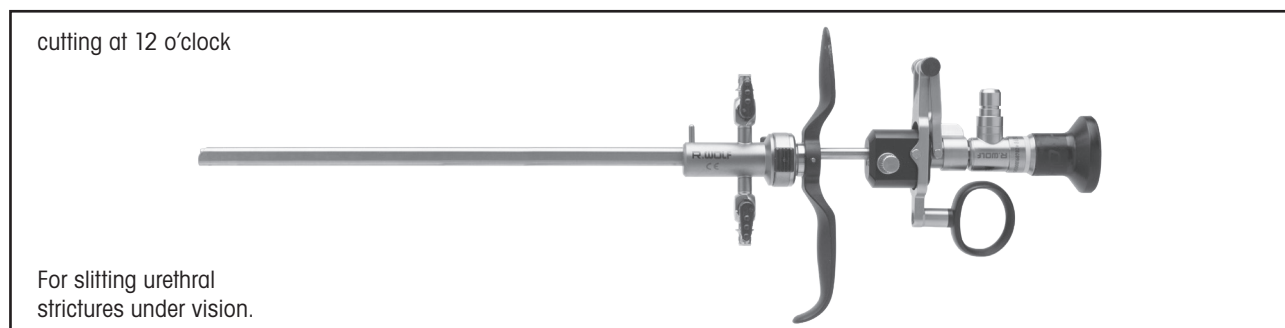
Fiber light cable (80662530), adapter projector side (8095.07) and adapter endoscope side (809509)

* The working element 8652.781 can be used additionally in all resectoscope sheaths with a capacity of 24 Fr. or larger.





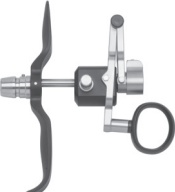
Optical urethrotome



8667 *E-line*

for telescope 4 mm, 0°



URETHROTOMES

		Type
Sheath 20.5 Fr. with instrument port for lateral insertion of a catheter (4 Fr.)		8667.011
Hollow obturator can be inserted in the urethra via a guide catheter		8667.111
Guide tube with latering opening for inserting a 16 Fr. balloon catheter		8667.161
Attachment with 1 instrument port capacity max. 10 Fr.		8652.264
Working insert for stricture scalpel		8667.911

Ø	Viewing direction	Type	PANOVIEW telescope
4 mm	0°	8650.414	 

Accessories:

Fiber light cable set, Ø 2.5 mm, 3.0 m long **806625301**





Consisting of:





Fiber light cable (80662530), adapter projector side (8095.07) and adapter endoscope side (809509)

Stricture scalpel for optical urethrotome 8667

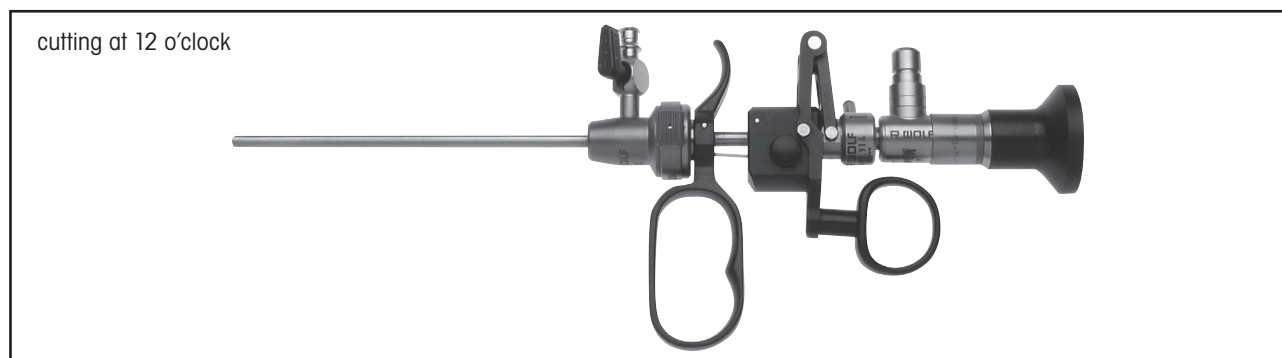
- ❑ Unique cutting capacity with ceramic blade
- ❑ Sharp cut over much longer period
- ❑ Compatible with the current and previous Richard Wolf systems

URETHROTOMES


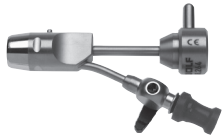






Stricture scalpel with ceramic blade	Sheath	Blade / Shape	Types
	solid	half moon	8667.961
	hollow (for 4 Fr. ureteric catheters)	half moon	8667.966
	hollow (for 4 Fr. ureteric catheters)	Shark-fin for narrow stenoses	8667.971
	solid	lancet	8667.981

Stricture scalpel (steel)	Sheath	Blade / Shape	Types
	hollow (for 4 Fr. ureteric catheters)	half moon	8667.965
	solid	half moon	8667.96
	solid	lancet	8667.98
	solid	sickle shaped	8667.93

Small Caliber Optical urethrotome for telescope 1.9 mm



URETHROTOMES

Sheath, with fixed irrigation tap, including obturator				Adapter for examination and probing	Working element
					
	Fr.	Color code	Capacity (Fr.)	1 Instrument port	
8693.0141	8.5	red	3	8688.264	8693.914
Stricture scalpels				Blade	Types
				Ceramic / half moon	8693.961
				sickle-shaped	8693.93
				hook-shaped	8688.94
Ø	Viewing direction	Type		PANOVIEW telescope	
1.9 mm	0°	8686.414			

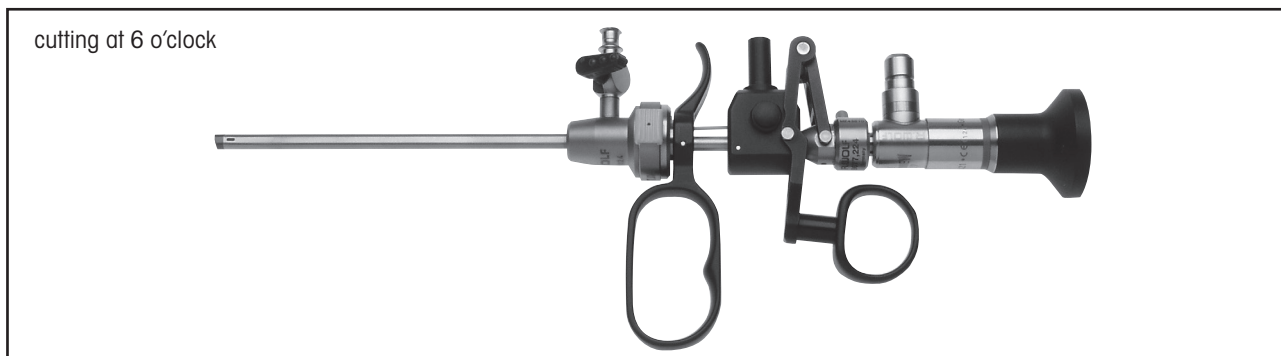
Accessories:

Fiber light cable set, Ø 2.5 mm, 3.0 m long **806625301**


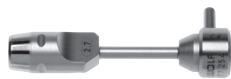



Consisting of:



Fiber light cable (80662530), adapter projector side (8095.07) and adapter endoscope side (809509)

Small Caliber Optical urethrotome for telescope 2.7 mm



URETHROTOMES

Sheath, with fixed irrigation tap and obturator, insulated distal tip			Adapter for examination (without port)	Working element passive cutting action
				
	Fr.	Color code		
8677.0141	11.5	yellow	8677.254	8677.224
Stricture scalpels			Blade	Types
			Ceramic / half moon	8677.961
			sickle shaped	8677.93

Ø	Viewing direction	Type	PANOVIEW telescope
2.7 mm	0°	8672.421	 

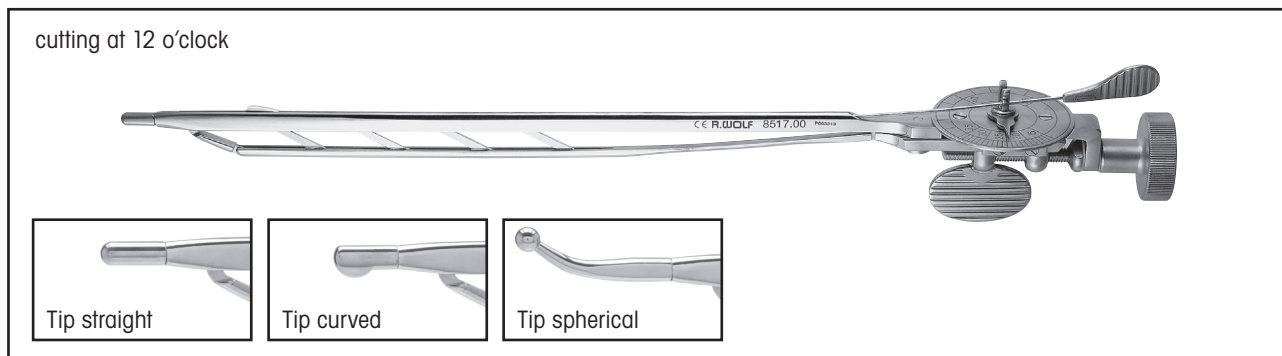
Accessories:

Fiber light cable set, Ø 2.5 mm, 3.0 m long 806625301


Consisting of:

Fiber light cable (80662530), adapter projector side (8095.07) and adapter endoscope side (809509)

Urethrotome for blind slitting



URETHROTOMES


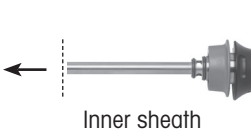






	Fr.	Working Length	Types
OTIS urethrotome with 3 interchangeable tips (straight, curved and spherical) including 2 knives	15 - 45	200 mm	8517.00
Spare knife 			8517.90


Shark Resectoscope, bipolar


for telescope 4 mm, 12°, 30°

with continuous-irrigation double-sheath system for resection in saline



Color code	Distal tip	Sheaths, inner sheath with distal ceramic insulation		Obturator	Viewing obturator	Dilation obturator	Electrodes
Sheaths							
		Outer sheath	Inner sheath				
22 / 24 Fr. green		8675424	8675322	8673022	8673122	-	See page 42-43.
24 / 26 Fr. yellow		8675426	8675324	8673024	8673124	8673224	

Working elements	Handle type	Cutting action	Type
	closed	passive	8680.225

Ø	Viewing direction	Types	PANOVIEW telescopes
4 mm	12°	8654.431	
	30°	8654.422	



Accessories:

Fiber light cable set, Ø 2.5 mm, 3.0 m long **806625301**

Consisting of:

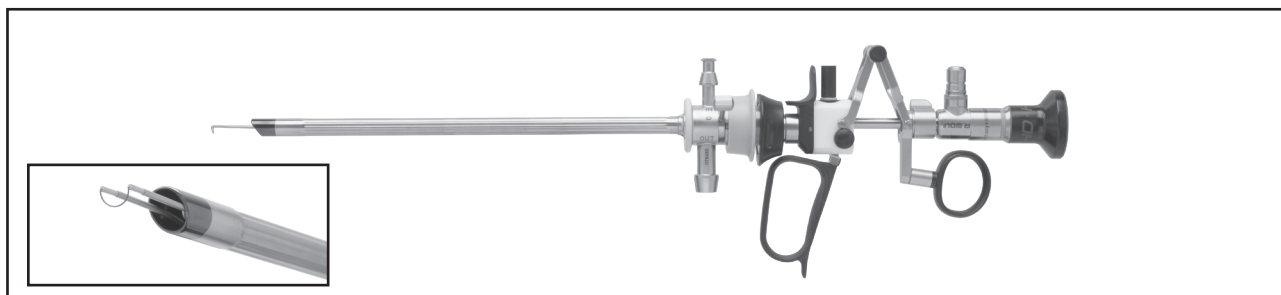
Fiber light cable (80662530), adapter projector side (8095.07) and adapter endoscope side (809509)

Bipolar connecting cable see page 53.

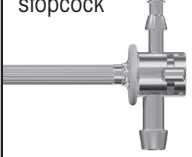







Shark Resectoscope, bipolar


for telescope 4 mm, 12°, 30°


with intermittent irrigation with central tap for resection in saline



RESECTOSCOPES

Color code	Distal tip	Sheaths, inner sheath with distal ceramic insulation		Obturator	Viewing obturator	Dilation obturator	Electrodes
Sheaths		Sheath with central stopcock 	Connecting part 				
24 Fr. yellow		8676424	8676342	8673024	8673124	8673224	See page 42-43.
26 Fr. black		8676426	8676343	8673026	8673126	8673226	

Working elements	Handle type	Cutting action	Type
	closed	passive	8680.225

Ø	Viewing direction	Types	PANOVIEW telescopes
4 mm	12°	8654.431	
	30°	8654.422	



Accessories:

Fiber light cable set, Ø 2.5 mm, 3.0 m long **806625301**

Consisting of:

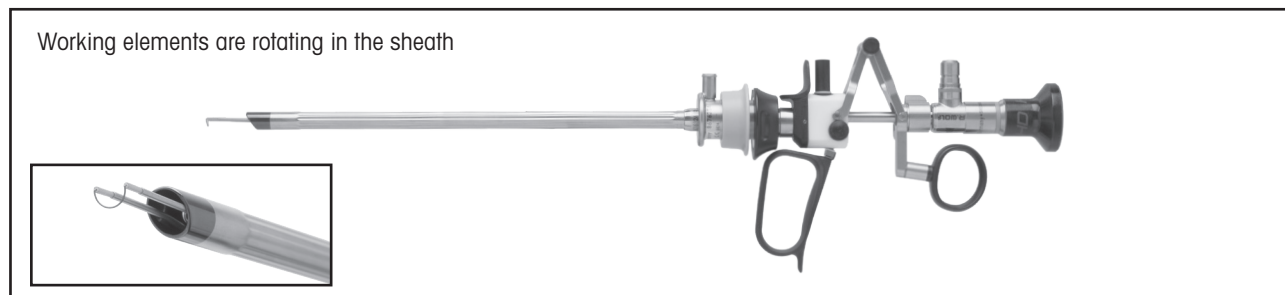
Fiber light cable (80662530), adapter projector side (8095.07) and adapter endoscope side (809509)










Bipolar connecting cable see page 53.


Shark Resectoscope, bipolar



for telescope 4 mm, 12°, 30°

with intermittent irrigation and rotating irrigation adapter for resection in saline



Color code	Distal tip	Sheaths, inner sheath with distal ceramic insulation			Obturator	Viewing obturator	Dilation obturator	Electrodes
Sheaths		Resectoscope sheath	Rotatable irrigation adapter					
			 4 mm Luer connector	 3 mm Luer stopcock				
24 Fr. yellow		8676324	8676354	8676361	8673024	8673124	8673224	See page 42-43.
26 Fr. black		8676326	8676354	8676361	8673026	8673126	8673226	

Working elements	Handle type	Cutting action	Type
	closed	passive	8680.225

Ø	Viewing direction	Types	PANOVIEW telescopes
4 mm	12°	8654.431	 
	30°	8654.422	

Accessories:

Fiber light cable set, Ø 2.5 mm, 3.0 m long 806625301

Consisting of:

Fiber light cable (80662530), adapter projector side (8095.07) and adapter endoscope side (809509)

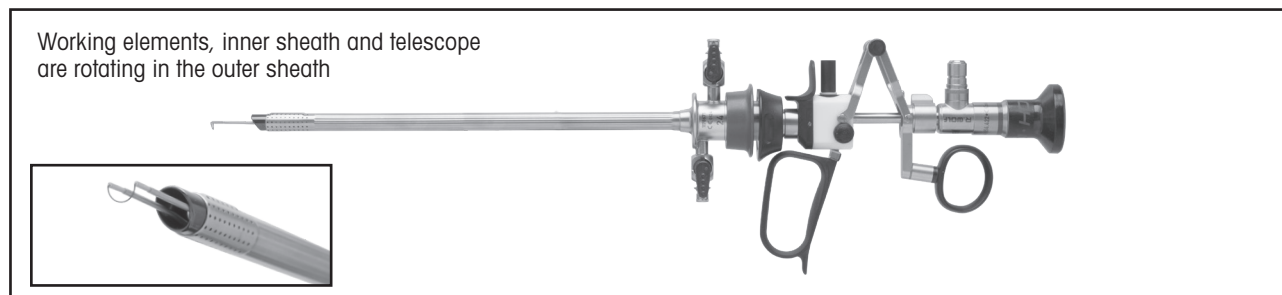
Bipolar connecting cable see page 53.

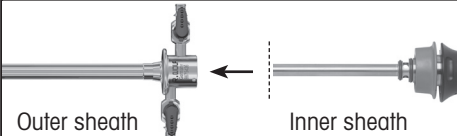






RESECTOSCOPES


Shark Resectoscope, bipolar



for telescope 4 mm, 12°, 0°

with continuous-irrigation double-sheath system for resection in saline



Color code	Distal tip	Sheaths, inner sheath with distal ceramic insulation		Obturator	Viewing obturator	Dilation obturator	Electrodes
Sheaths		 Outer sheath Inner sheath					
22 / 24 Fr. green		8675424	8675322	8673022	8673122	-	See page 42-43.
24 / 26 Fr. yellow		8675426	8675324	8673024	8673124	8673224	

Working elements	Handle type	Cutting action	Type
	closed	passive	8680.225

∅	Viewing direction	Type	PANOVIEW telescope
4 mm	0°	8650.414	 

Accessories:

Fiber light cable set, ∅ 2.5 mm, 3.0 m long **806625301**

Consisting of:

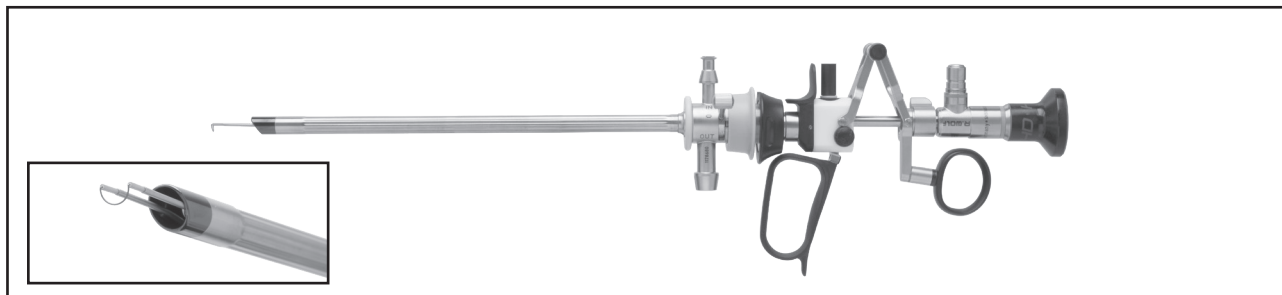
Fiber light cable (80662530), adapter projector side (8095.07) and adapter endoscope side (809509)

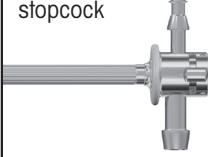







Bipolar connecting cable see page 53.


Shark Resectoscope, bipolar



for telescope 4 mm, 0°

with intermittent irrigation with central tap for resection in saline



Color code	Distal tip	Sheaths, inner sheath with distal ceramic insulation		Obturator	Viewing obturator	Dilation obturator	Electrodes
Sheaths		Sheath with central stopcock 	Connecting part 				
24 Fr. yellow		8676424	8676342	8673024	8673124	8673224	See page 42-43.
26 Fr. black		8676426	8676343	8673026	8673126	8673226	

Working elements	Handle type	Cutting action	Type
	closed	passive	8680.225

Ø	Viewing direction	Type	PANOVIEW telescope
4 mm	0°	8650.414	 

Accessories:

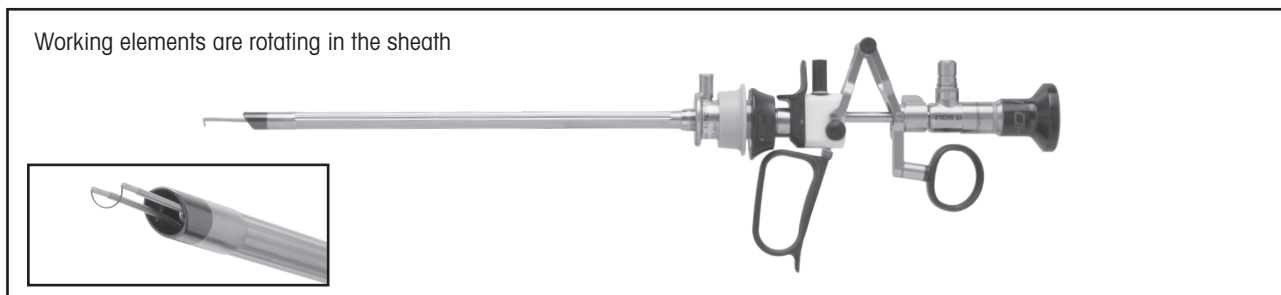
Fiber light cable set, Ø 2.5 mm, 3.0 m long 806625301










Consisting of:


Fiber light cable (80662530), adapter projector side (8095.07) and adapter endoscope side (809509)

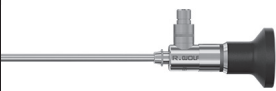

Bipolar connecting cable see page 53.

Shark Resectoscope, bipolar
for telescope 4 mm, 0° with intermittent irrigation and
rotating irrigation adapter for resection in saline



Color code	Distal tip	Sheaths, inner sheath with distal ceramic insulation			Obturator	Viewing obturator	Dilation obturator	Electrodes
Sheaths		Resectoscope sheath 	Rotatable irrigation adapter  4 mm Luer connector	 3 mm Luer stopcock				
24 Fr. yellow		8676324	8676354	8676361	8673024	8673124	8673224	See page 42-43.
26 Fr. black		8676326	8676354	8676361	8673026	8673126	8673226	

Working elements	Handle type	Cutting action	Type
	closed	passive	8680.225

Ø	Viewing direction	Type	PANOVIEW telescope
4 mm	0°	8650.414	 

Accessories:

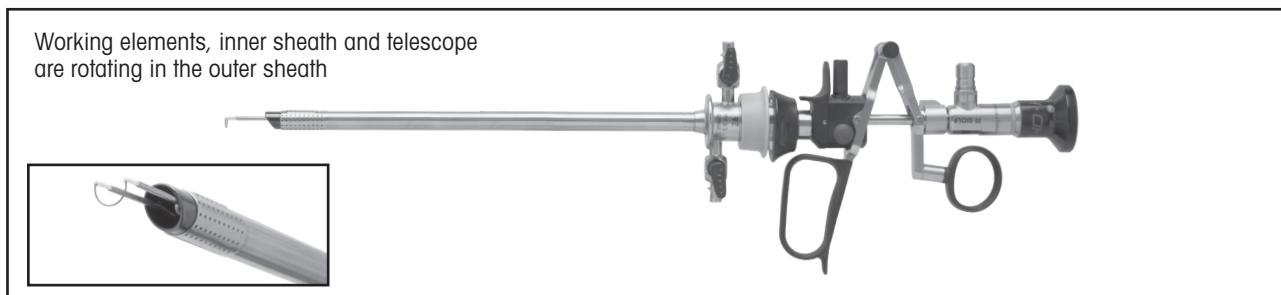
Fiber light cable set, Ø 2.5 mm, 3.0 m long **806625301**

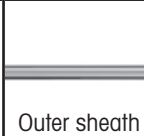
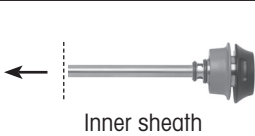






Consisting of:


Fiber light cable (80662530), adapter projector side (8095.07) and adapter endoscope side (809509)


Bipolar connecting cable see page 53.

Shark Resectoscope, monopolar
for telescope 4 mm, 12°, 30°
with continuous-irrigation double-sheath system



Color code	Distal tip	Sheaths, inner sheath with distal ceramic insulation		Obturator	Viewing obturator	Dilation obturator	Electrodes
Sheaths							
		Outer sheath	Inner sheath				
22 / 24 Fr. green		8675424	8675322	8673022	8673122	-	See page 44-45.
24 / 26 Fr. yellow		8675426	8675324	8673024	8673124	8673224	

Working elements	Handle type	Cutting action	Type
	closed	passive	8674.225

Ø	Viewing direction	Types	PANOVIEW telescopes
4 mm	12°	8654.431	
	30°	8654.422	



Accessories:

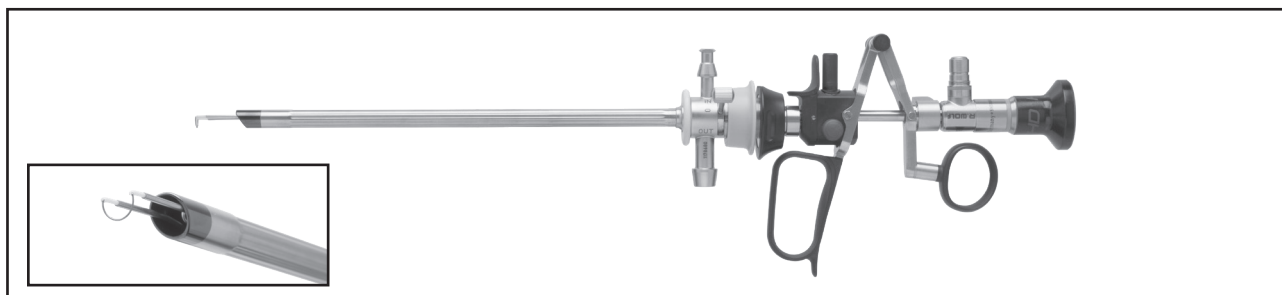
Fiber light cable set, Ø 2.5 mm, 3.0 m long 806625301

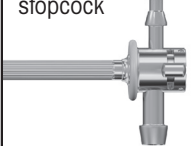







Consisting of:

Fiber light cable (80662530), adapter projector side (8095.07) and adapter endoscope side (809509)


HF monopolar connecting cable see page 53.

Shark Resectoscope, monopolar
for telescope 4 mm, 12°, 30°
with intermittent irrigation with central tap



Color code	Distal tip	Sheaths, inner sheath with distal ceramic insulation		Obturator	Viewing obturator	Dilation obturator	Electrodes
Sheaths		Sheath with central stopcock 	Connecting part 				
24 Fr. yellow		8676424	8676342	8673024	8673124	8673224	See page 44-45.
26 Fr. black		8676426	8676343	8673026	8673126	8673226	

Working elements	Handle type	Cutting action	Type
	closed	passive	8674.225

Ø	Viewing direction	Types	PANOVIEW telescopes
4 mm	12°	8654.431	
	30°	8654.422	



Accessories:

Fiber light cable set, Ø 2.5 mm, 3.0 m long **806625301**

Consisting of:










Fiber light cable (80662530), adapter projector side (8095.07) and adapter endoscope side (809509)


HF monopolar connecting cable see page 53.


RESECTOSCOPES

Shark Resectoscope, monopolar
for telescope 4 mm, 12°, 30°
with intermittent irrigation and rotating irrigation adapter



Color code	Distal tip	Sheaths, inner sheath with distal ceramic insulation			Obturator	Viewing obturator	Dilation obturator	Electrodes
Sheaths		Resectoscope sheath	Rotatable irrigation adapter					
			 4 mm Luer connector	 3 mm Luer stopcock				
24 Fr. yellow		8676324	8676354	8676361	8673024	8673124	8673224	See page 44-45.
26 Fr. black		8676326	8676354	8676361	8673026	8673126	8673226	

Working elements	Handle type	Cutting action	Type
	closed	passive	8674.225

Ø	Viewing direction	Types	PANOVIEW telescopes
4 mm	12°	8654.431	
	30°	8654.422	



Accessories:

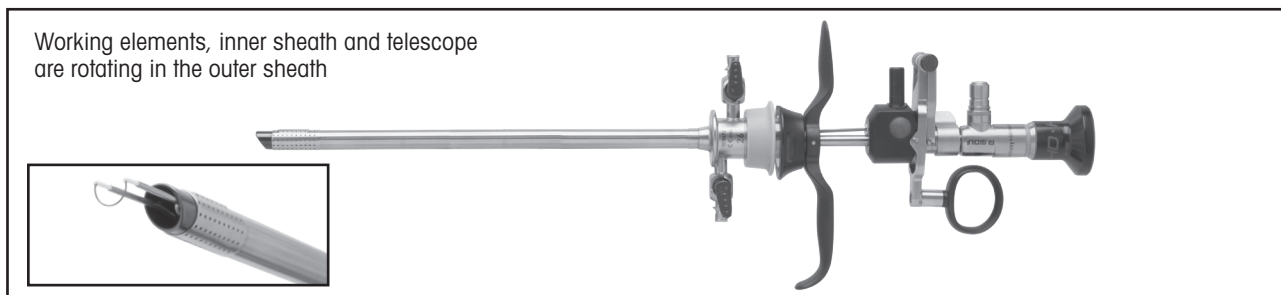
Fiber light cable set, Ø 2.5 mm, 3.0 m long **806625301**

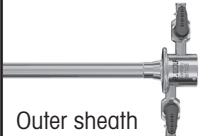
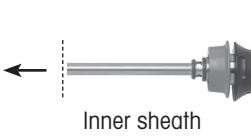






Consisting of:

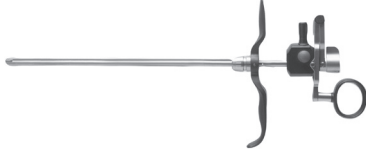
Fiber light cable (80662530), adapter projector side (8095.07) and adapter endoscope side (809509)

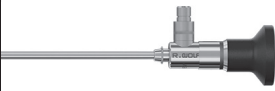

HF monopolar connecting cable see page 53.

Shark Resectoscope, monopolar
for telescope 4 mm, 0°
with continuous-irrigation double-sheath system



Color code	Distal tip	Sheaths, inner sheath with distal ceramic insulation		Obturator	Viewing obturator	Dilation obturator	Electrodes
Sheaths							
22 / 24 Fr. green		8675424	8675322	8673022	8673122	-	See page 44-45.
24 / 26 Fr. yellow		8675426	8675324	8673024	8673124	8673224	

Working elements	Handle type	Cutting action	Type
	open	passive	8681224

Ø	Viewing direction	Type	PANOVIEW telescope
4 mm	0°	8650.414	 

Accessories:

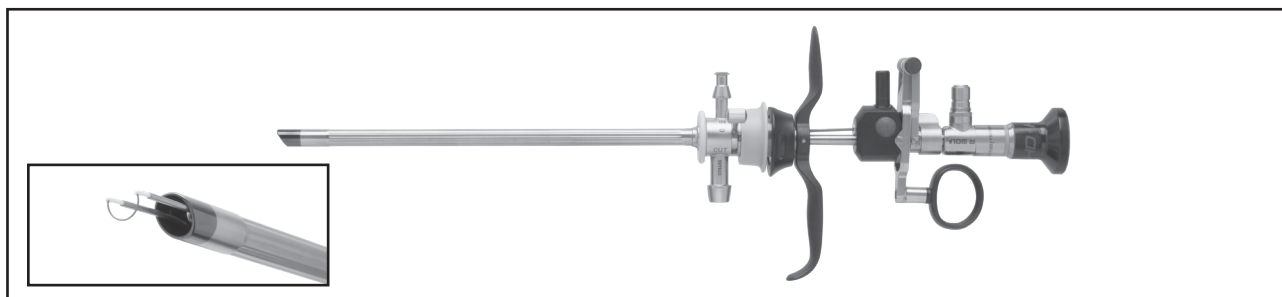
Fiber light cable set, Ø 2.5 mm, 3.0 m long **806625301**

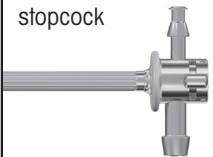







Consisting of:


Fiber light cable (80662530), adapter projector side (8095.07) and adapter endoscope side (809509)



HF monopolar connecting cable see page 53.

Shark Resectoscope, monopolar
for telescope 4 mm, 0°
with intermittent irrigation with central tap



Color code	Distal tip	Sheaths, inner sheath with distal ceramic insulation		Obturator	Viewing obturator	Dilation obturator	Electrodes
Sheaths		Sheath with central stopcock 	Connecting part 				
24 Fr. yellow		8676424	8676342	8673024	8673124	8673224	See page 44-45.
26 Fr. black		8676426	8676343	8673026	8673126	8673226	

Working elements	Handle type	Cutting action	Type
	open	passive	8681224

∅	Viewing direction	Type	PANOVIEW telescope
4 mm	0°	8650.414	 

Accessories:

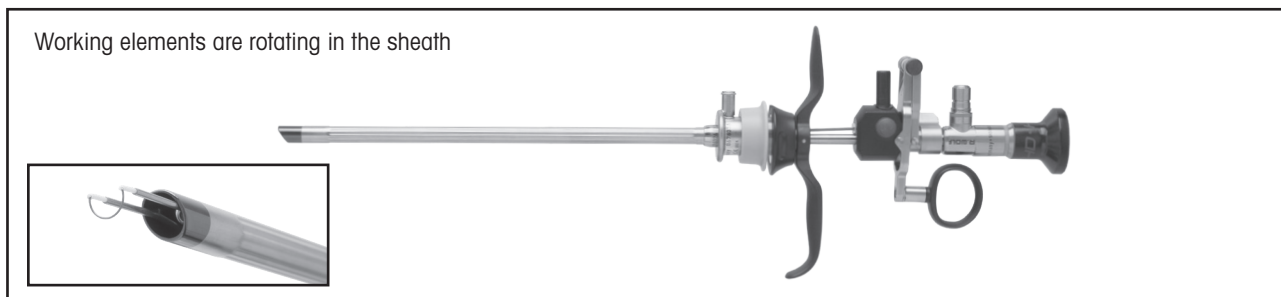
Fiber light cable set, ∅ 2.5 mm, 3.0 m long **806625301**










Consisting of:

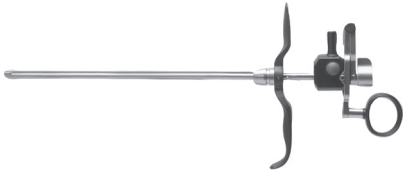
Fiber light cable (80662530), adapter projector side (8095.07) and adapter endoscope side (809509)



HF monopolar connecting cable see page 53.

Shark Resectoscope, monopolar
for telescope 4 mm, 0° with intermittent
irrigation and rotating irrigation adapter



Color code	Distal tip	Sheaths, inner sheath with distal ceramic insulation			Obturator	Viewing obturator	Dilation obturator	Electrodes
Sheaths		Resectoscope sheath 	Rotatable irrigation adapter  4 mm Luer connector  3 mm Luer stopcock					
24 Fr. yellow		8676324	8676354	8676361	8673024	8673124	8673224	See page 44-45.
26 Fr. black		8676326	8676354	8676361	8673026	8673126	8673226	

Working elements	Handle type	Cutting action	Type
	open	passive	8681224

Ø	Viewing direction	Type	PANOVIEW telescope
4 mm	0°	8650.414	 

Accessories:




Fiber light cable set, Ø 2.5 mm, 3.0 m long **806625301**


Consisting of:

Fiber light cable (80662530), adapter projector side (8095.07) and adapter endoscope side (809509)


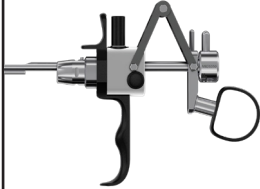
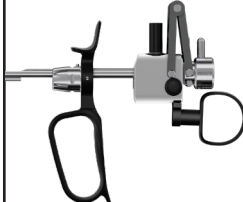
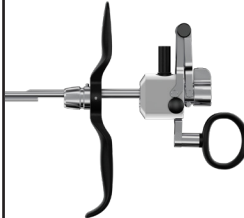
HF monopolar connecting cable see page 53.

 Working elements
for resectoscopes








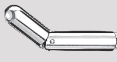
Monopolar		
active	passive	passive
closed handle design	closed handle design	open handle design
		
8681205	—	8681224
8674205	8674225	8674224

Standard Telescopes	viewing angles
	
8650.414	0°
8654.431 8654.422	12° 30°

RESECTOSCOPES

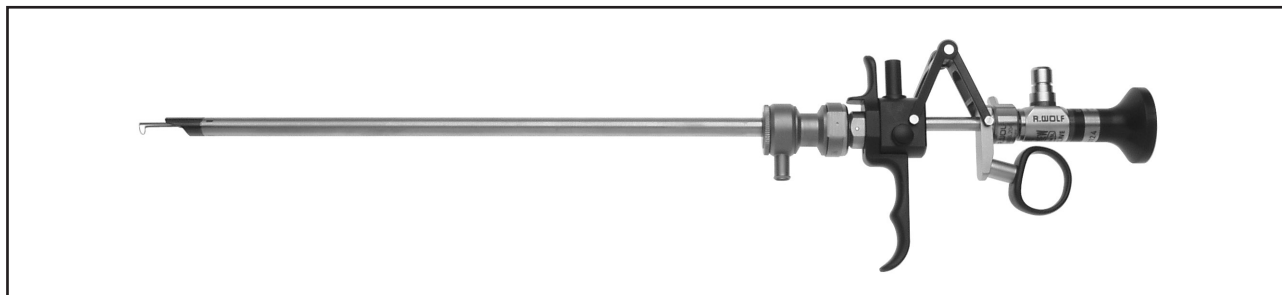
Bipolar			
active	active	passive	passive
closed handle design	open handle design	closed handle design	open handle design
			
8680.205	8680.204	8680.225	8680.224





Shark Obturators
for resectoscopes


For resectoscope 	Fr.	Sheath			Obturators			
		continuous irrigation oblique 	with rotatable irrigation adapter oblique 	with central stopcock oblique 	Obturator 	Viewing obturator 	Dilation obturator 	Obturator Timberlake 
Double sheath system	22/24	8675424 and 8675322	-	-	8673022	8673122	-	-
Sheaths for intermittent irrigation	24	-	8676324 and 8676354 8676361	8676424 8676342	8673024	8673124	8673224	8654.67
Double sheath system	24/26	8675426 and 8675324	-	-	8673024	8673124	8673224	8654.67
Sheaths for intermittent irrigation	26	-	8676326 and 8676354 8676361	8676426 8676343	8673026	8673126	8673226	8654.68



RESECTOSCOPES

Shark Resectoscope, monopolar
for telescope 4 mm, 25°, long sheath
with intermittent irrigation



Fr., Color code	Distal tip	Sheath with distal ceramic insulation, swivelling irrigation ring	Obturator	Cutting electrode
Sheath				
24 Fr.		8668.024	8668.12	8439.03

	Handle type	Cutting action	Type
 Spring-assisted cutting action	closed	passive	8668.225

Ø	Viewing direction	Type	PANOVIEW telescope
4 mm	25°	8668.433	 

Accessories:

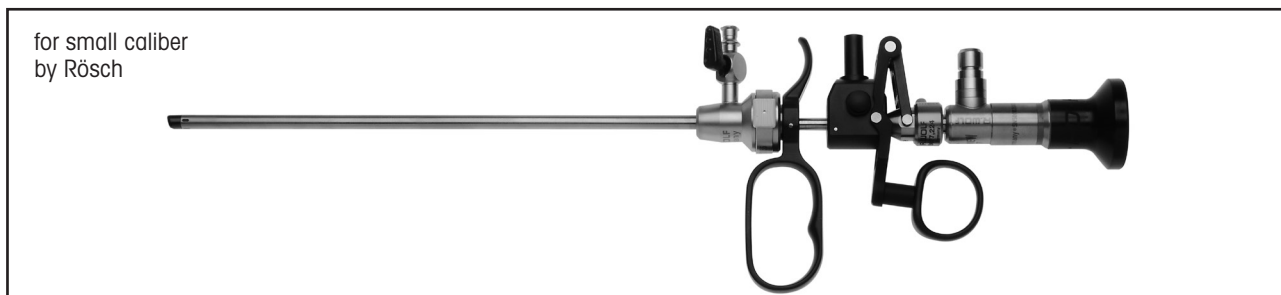
Fiber light cable set, Ø 2.5 mm, 3.0 m long **806625301**



Consisting of:



Fiber light cable (80662530), adapter projector side (8095.07) and adapter endoscope side (809509)

HF monopolar connecting cable see page 53.

U-Care resectoscope



Resectoscope Sheath Set					
consisting of: resectoscope sheath, obturator and Luer connector (886.00)					
	Fr.	Color code	Sheath single	Obturator single	Working element "E-line", passive cutting
86770151	14.5	white	86770155	86770157	8677.224

Ø	Viewing direction	WL	Type	PANOVIEW telescope, distortion-free
2.7 mm	0°	274 mm	8672430	 

Accessories:

Fiber light cable set, Ø 2.5 mm, 3.0 m long **806625301**

Consisting of:






Fiber light cable (80662530), adapter projector side (8095.07) and adapter endoscope side (809509)

RESECTOSCOPES

HF monopolar connecting cable see page 53.

Accessory instruments

U-Care resectoscope

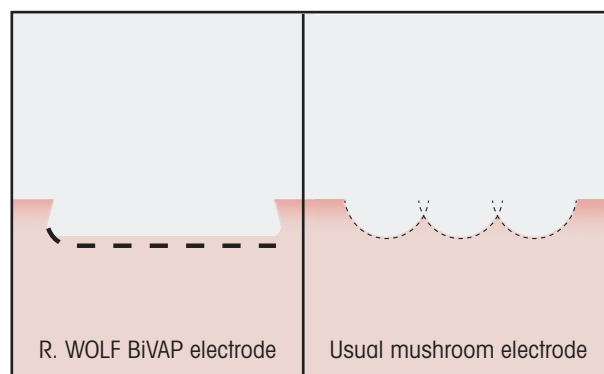
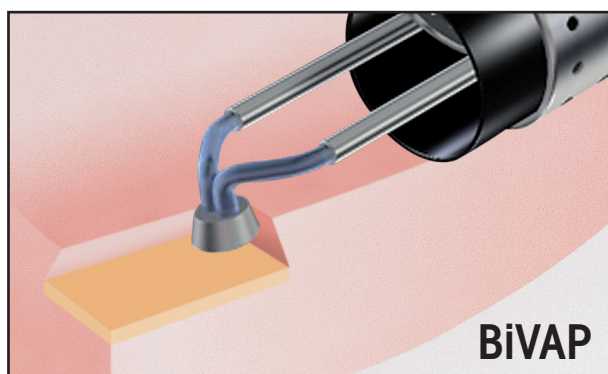
Stricture scalpels	Blade	Type
	Lanzet blade, cutting edge on both sides	8677981
	Half-moon shaped	8677931
Electrodes		Type
	Coagulating electrode	8416011
	Cutting electrode	8416031
	Hook electrode	8416091

RESECTOSCOPES

Electrodes

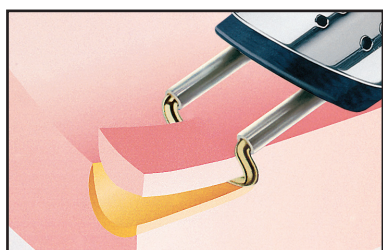
Richard Wolf electrodes specially adapted to the anatomy and to specialized therapeutic methods for many applications.

The quality and effectiveness of various types and shapes of electrodes have been effective in a variety of interventions. Only the combination of original Richard Wolf "**electrodes and instruments**" ensure optimum results and safety for both patient and user.



"BiVAP" – Bipolar Vaporization Electrode

A special shape of electrode head was developed for bipolar vaporization technology. The specific geometry of the electrode surface means that the high-energy plasma can be used in a concentrated form for fast, effective tissue vaporization with minimal loss of blood. Moreover, the "stepped" gradation at the contact area of the electrode enables the energy density to be kept as low as possible and this avoids thermal damage to tissue. No bridges are left behind during vaporization with the BiVAP electrode as a result of its planar bearing surface. A completely flat compartment is created.







Standard 0.3 - 0.4 loop electrodes and electrodes with a wire calibre of 0.8 mm for bloodless cutting and obtaining specimens for histology.



Bipolar electrodes

for single use, sterile*, 12°/30°

for continuous-irrigation sheath	Loop	Stem	for sheath sizes in Fr.			
			Ds 22/24	iS 24	Ds 24/26	iS 26
Cutting electrode (pack = 3 pcs.) 	Loop 0.3 mm	Branches	blue	blue	blue	green
			46221333US	46221313US	46221313US	4624.1313
		Stem	blue	blue	blue	blue
	Loop 0.25 mm	Branches	blue	blue	blue	blue
			4622.2533	4622.2513	4622.2513	4622.2513
		Stem	blue	blue	blue	blue
Coagulating electrode (pack = 3 pcs.) 	Cylinder 1.2 mm	Branches	blue	blue	blue	blue
			-	-	-	-
		Stem	blue	blue	blue	blue
BiVAP electrode (pack = 3 pcs.) 	Donut	Branches	blue	blue	blue	blue
			46300223	46300243	46300243	46300243
		Stem	blue	blue	blue	blue
Hook electrode (pack = 1 pcs.) 	Hook	Branches	blue	blue	blue	blue
			862309**	862309**	862309**	862309**
		Stem	yellow	yellow	yellow	yellow

Ds = Continuous irrigation


iS = intermittent irrigation

* single sterile packed

** hook electrode - 862309; single piece, non-sterile, reusable



Bipolar electrodes
for single use, sterile*, 0°

for continuous-irrigation sheath	Loop	Stem	for sheath sizes in Fr.				
			Ds 22/24	iS 24	Ds 24/26	iS 26	
Cutting electrode (pack = 3 pcs.) 	0.3 mm	Branches	-	blue	blue	blue	
				-	4609.0313	4609.0313	-
		Stem	-	blue	blue	blue	
	0.25 mm	Branches	-	blue	blue	-	
				-	4609.2513	4609.2513	-
		Stem	-	blue	blue	-	








Ds = Continuous irrigation

iS = intermittent irrigation

* single sterile packed



Monopolar electrodes for single use, sterile*, 12°/30°

for continuous-irrigation sheath	Loop	Stem	for sheath sizes in Fr.			
			DS 22/24	iS 24	DS 24/26	iS 26
Cutting electrode (pack = 10 pcs.) 	Loop 0.35 mm	Branches	green	yellow	yellow	black
			46782235	46782435	46782435	46782635
		Stem	transparent	transparent	transparent	transparent
	Loop 0.25 mm	Branches	green	yellow	yellow	-
			46782225	46782425	46782425	-
		Stem	transparent	transparent	transparent	-
Cutting electrode (pack = 5 pcs.) 	Loop 0.8 mm	Branches	-	yellow	yellow	-
			-	46782480	46782480	-
		Stem	-	transparent	transparent	-
Coagulating electrode (pack = 5 pcs.) 	Roller	Branches	green	green	green	-
			46782201	46782201	46782201	-
		Stem	transparent	transparent	transparent	-
Coagulating electrode (pack = 5 pcs.) 	Sphere	Branches	green	green	green	-
			46782202	46782202	46782202	-
		Stem	transparent	transparent	transparent	-
Coagulating electrode (pack = 5 pcs.) 	Button	Branches	green	green	green	black
			46782203	46782203	46782203	46782603
		Stem	transparent	transparent	transparent	transparent
Knife electrode (pack = 5 pcs.) 	Knife	Branches	green	green	green	black
			46782204	46782204	46782204	46782604
		Stem	transparent	transparent	transparent	transparent
Hook electrode (pack = 5 pcs.) 	Hook	Branches	green	green	green	black
			46782205	46782205	46782205	46782605
		Stem	transparent	transparent	transparent	transparent

DS = Continuous irrigation

iS = intermittent irrigation





* single sterile packed

RESECTOSCOPES



Monopolar electrodes

for single use, sterile*, 0°

for continuous-irrigation sheath	Loop	Stem	for sheath sizes in Fr.			
			Ds 22/24	iS 24	Ds 24/26	iS 26
Cutting electrode (pack = 5 pcs.) 	Loop 0.35 mm	Branches	-	yellow	yellow	black
			-	46792435	46792435	46792635
		Stem	-	transparent	transparent	transparent
Coagulating electrode (pack = 5 pcs.) 	Roller	Branches	-	green	green	-
			-	46792201	46792201	-
		Stem	-	transparent	transparent	-
Knife electrode (pack = 5 pcs.) 	Knife	Branches	-	transparent	transparent	-
			-	46792204	46792204	-
		Stem	-	transparent	transparent	-
Hook electrode (pack = 5 pcs.) 	Hook	Branches	-	transparent	transparent	-
			-	46792205	46792205	-
		Stem	-	transparent	transparent	-

Ds = Continuous irrigation



iS = intermittent irrigation

* single sterile packed

E-line


Monopolar electrodes

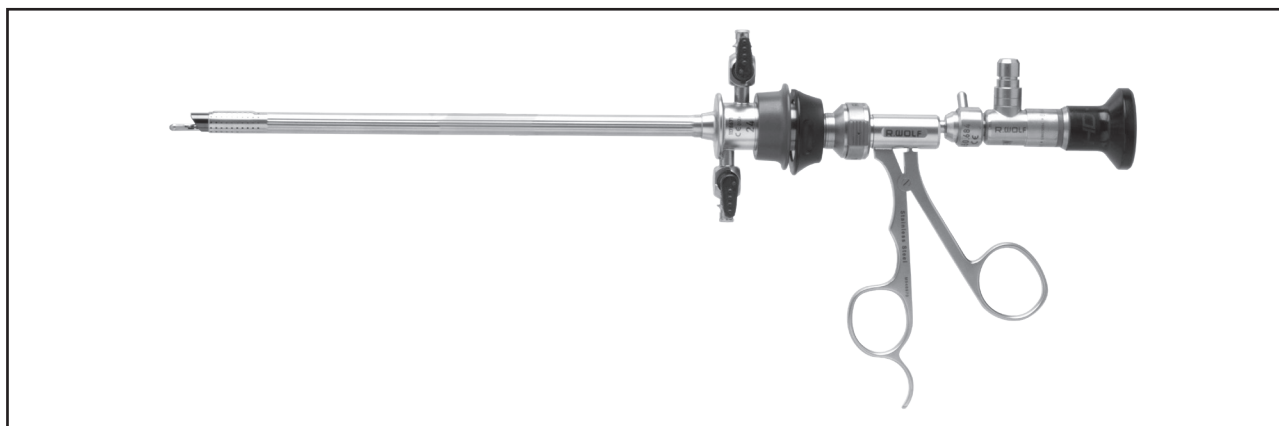
for resectoscopes, 4 mm telescope, 25°, long sheath

for sheath	Loop	Stem	Fr.	
Cutting electrode 	0.3 mm	Branches		green
				8439.03
		Stem		red
Coagulating electrode 	-	Branches		blue
				8440.02
		Stem		red








RESECTOSCOPES

Additional instrument combinations

with resectoscope sheaths 

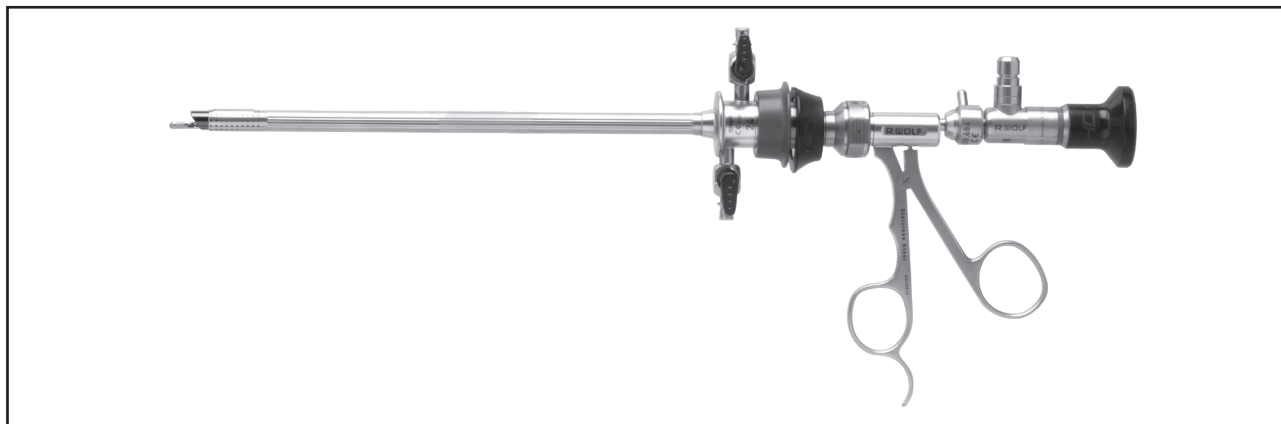


RESECTOSCOPES








for sheaths			Instruments as for cysto-urethrosopes 8650 for use in resectoscope sheaths		with telescope
Intermittent irrigation Fr.	Continuous irrigation Fr.	via 	Version 	Types 	
24 - 26	26	only for diagnosis	Adapter with 1 instrument port 	8652.264	0°, 12°, 30°, 70°
-	26	Spacer 8652.704	Foreign body forceps 	8650.264	0°, 12°, 30°
-	26	Spacer 8652.704	Biopsy forceps, with spoon-shaped jaws, retrograde 	8650.774	0°, 12° (30°)
-	26	Spacer 8652.704	Biopsy forceps, "Marburg" 	8650.614	0°, 12°


Additional instrument combinations

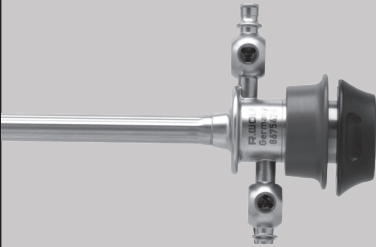

with resectoscope sheaths 



RESECTOSCOPES

for sheaths			Instruments as for cysto-urethrosopes 8650 for use in resectoscope sheaths		with telescope
Intermittent irrigation Fr.	Continuous irrigation Fr.	via 	Version	Types	
24 - 26	26	Spacer 8652.704	Scissors 	8650.644	0°, 12°
-	26	Spacer 8652.704	Coagulating biopsy forceps by Taube 	8650.624	0°, 12°
-	26	without spacer	Insert with Albarran deflector, with one or two instrument ports 	8650.204 or 8650.214	(0°, 12°) 30°, 70°
-	26	Spacer 8652.704	Biopsy forceps, spoon-shaped, both jaws opening 	8650.604	0°, 12° (30°)
-	26	Spacer 8652.704	Grasping forceps, both jaws opening 	8650.684	0°, 12°

Taps, tube connector
for resectoscope sheaths 
with 4 mm telescope

	for sheaths		
	with swivelling and replaceable irrigation ring	with fixed Luer cock	
	Ø	Capacity 4 mm	Capacity 3 mm
Stopcock with Luer lock connector 	3 mm		884.00
	4 mm	884.01	

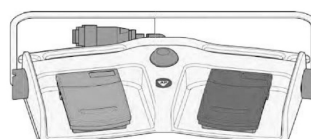
RESECTOSCOPES

HF-GENERATOR 2260



Product	Description	Product No.
HF surgical generator 400 kHz	for the connection of monopolar and bipolar accessories (Richard Wolf, BOWA, KLS Martin, Olympus, Karl Storz, Valleylab)	2260003
HF surgical generator 400 kHz bundle	consisting of: HF surgical generator 400 kHz (2260003), footswitch, 2 pedals, L 5 m (2260021), and power cable, L 8 ft (N710171)	22600035

Required Accessories	Product No.
Footswitch, 2 pedals, L 5 m with fixed connection cable, reusable	2260021
Power cable, L 8 ft	N710171



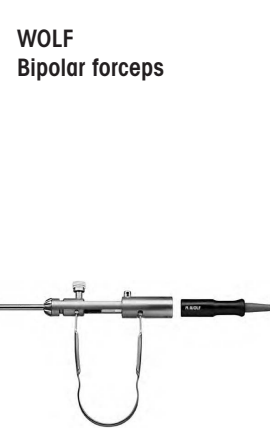






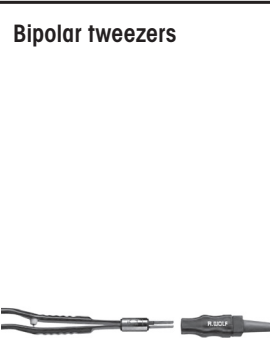



ELECTROSURGERY

HF-GENERATOR 2260

Technical data

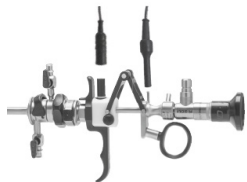

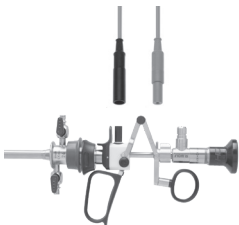

HF surgery generator 400kHz		2260003
Device properties		
Type of controls on housing front		Touch panel
Output power	max.cutting power	400 W
	max.coagulation power	250 W
LF and HF leakage currents		acc. to DIN EN 60601-1 and DIN EN 60601-2-2
Signal level		HF indicator 55 dB(A); adjustable 45–60 dB(A) Alarm 65 dB(A)
Operating conditions		+10°C to +40°C, 30% to 75% rel. humidity, 700 hPa to 1,060 hPa atmospheric pressure
Storage and transport conditions		- 20°C to + 60°C, 10% to 90% rel. humidity, 700 hPa to 1,060 hPa atmospheric pressure
Power supply		
Mains + frequency		100–240 V-, 50/60 Hz
Power consumption	without HF output	45 VA
	at max. output power	650 VA
Current rating		max. 6.3 A
Fuse		T 6.3 AH 250 V
Standards		
Protection class to EN/IEC 60601-1 (UL 2601-1/CSA C222 No 601.1 – for USA)		I
Electromagnetic compatibility (EMC)		EN/IEC 60601-1-2
Medical device class according to 93/42/EEC		IIb
Degree of protection against the ingress of liquids (DIN EN/IEC 60529)		IPX0
Degree of protection against the ingress of solids		IP2X
Duty factor (duty cycle DC)		Intermittent INT 10 s/30 s corresponding to 25% DC
Protection against electric shock		Model CF applied part, defibrillator-proof
Degree of protection in the presence of flammable mixtures		Device is not protected against explosions (do not operate this device in explosive atmospheres)
Dimensions and weight		
Weight		10.2 kg (22.4 lbs)
Dimensions (W x H x D)		300 x 159 x 419 mm (11.8" x 6.3" x 16.5")
RFID system		
Transmission and reception frequency		13.56 MHz
Bandwidth		+/- 484 kHz
Effective radiated power		Max. 200 mW
Modulation characteristics		ASK with 100% modulation depth

HF Bipolar Connecting Cables

Connector for instrument	Connector for unit	Length	Product No.
 <p>WOLF Bipolar forceps</p>	 R. Wolf HF surgical generator 2260 400 kHz / ERBE (ACC/ICC/T) / BOWA (EU)	3 m	8108.032
	 R. Wolf HF surgical generator 2260 400 kHz / Martin (Int.) / 2-pin Valleylab / BOWA (Int.)	3 m	8108.033
	 R. Wolf HF surgical generator 2260 400 kHz / Martin (Int.) / 2-pin Valleylab / BOWA (Int.)	5 m	8108.053
	 R. Wolf Bipolar Generator 2352 / Martin (m-Version) / Berchtold / Aesculap	3 m	8108.031
	 R. Wolf Bipolar Generator 2352 / Martin (m-Version) / Berchtold / Aesculap	5 m	8108.051
	 EMC Dolley	3 m	8108035
 <p>Bipolar tweezers</p>	 R. Wolf HF surgical generator 2260 400 kHz / Martin (Int.) / 2-pin Valleylab / BOWA (Int.)	3 m	8108.133
	 R. Wolf Bipolar Generator 2352 / Martin (m-Version) / Berchtold / Aesculap	3 m	8108.131
	 EMC Dolley	3 m	8108135






ELECTROSURGERY

HF Bipolar Connecting Cables

Connector for instrument	Connector for unit	Length	Product No.
<p>WOLF S(a)line resectoscopes</p> 	 R. Wolf HF surgical generator 2260 400 kHz	3 m	8108233
		5 m	8108253
	 ERBE VIO 3	4.5 M	21196-119

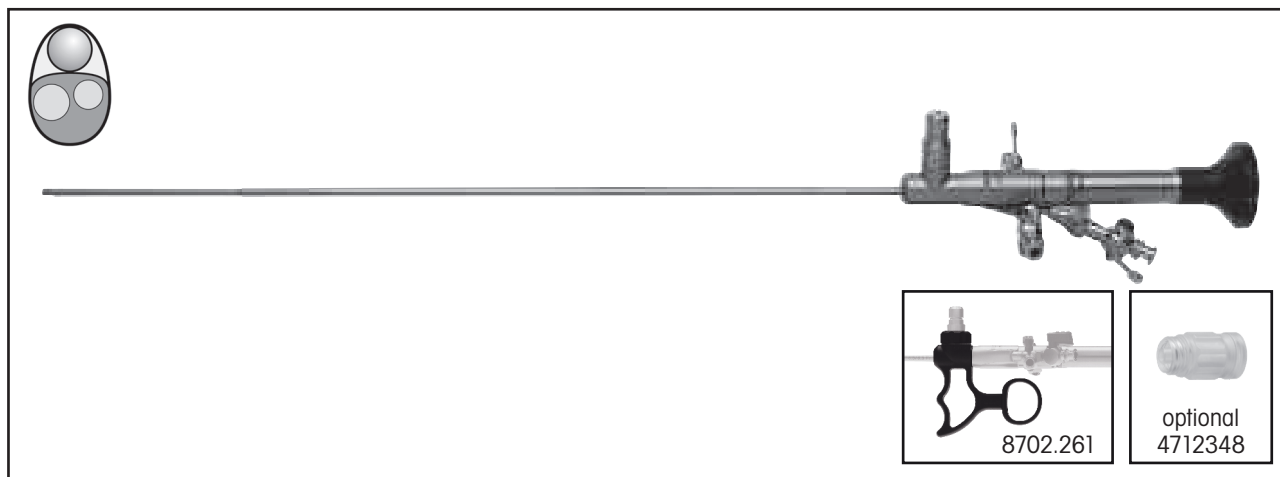
ELECTROSURGERY

HF Monopolar Connecting Cables

Connector for instrument	Connector for unit	Length	Product No.
WOLF resectoscopes / Monopolar HF electrodes 	 R. Wolf HF surgical generator 2260 400 kHz / Bovie / Valleylab / Erbe (Int.) / BOWA (Int.)	3 m	815.033
		5 m	815.053
WOLF Instruments 	 R. Wolf HF surgical generator 2260 400 kHz / Bovie / Valleylab / Erbe (Int.) / BOWA (Int.)	3 m	8106.033
		5 m	8106.053
	 ERBE (T series)	3 m	8106.132

ELECTROSURGERY

4.5 / 6.5 Fr. Needle Semi-rigid Uretero-Renoscope Straight eyepiece



- ❑ Extremely thin, 4.5 / 6.5 Fr.
- ❑ Large oval irrigation and probe channel 2.5 x 3 Fr.
- ❑ Excellent view through miniature fiber optic ureteroscope
- ❑ Progressive dilation - even in the narrowest passages
- ❑ Stone therapy with laser or electrohydraulic lithotripsy

Instrumentation	Description	Angle of view	WL	Insert capacity (Fr.)
8701517	Straight eyepiece	5°	330 mm	3
8701518	Straight eyepiece	5°	430 mm	3

URETERORENOSCOPE

Accessories:

Handle **8702.261**

For inserting accessory instruments of 1 – 6 Fr.:

Universal sealing valve, sterile (pack = 5 pcs.)..... **4712348**

Fiber light cable set, Ø 2.5 mm, 3.0 m long **806625301**

consisting of:

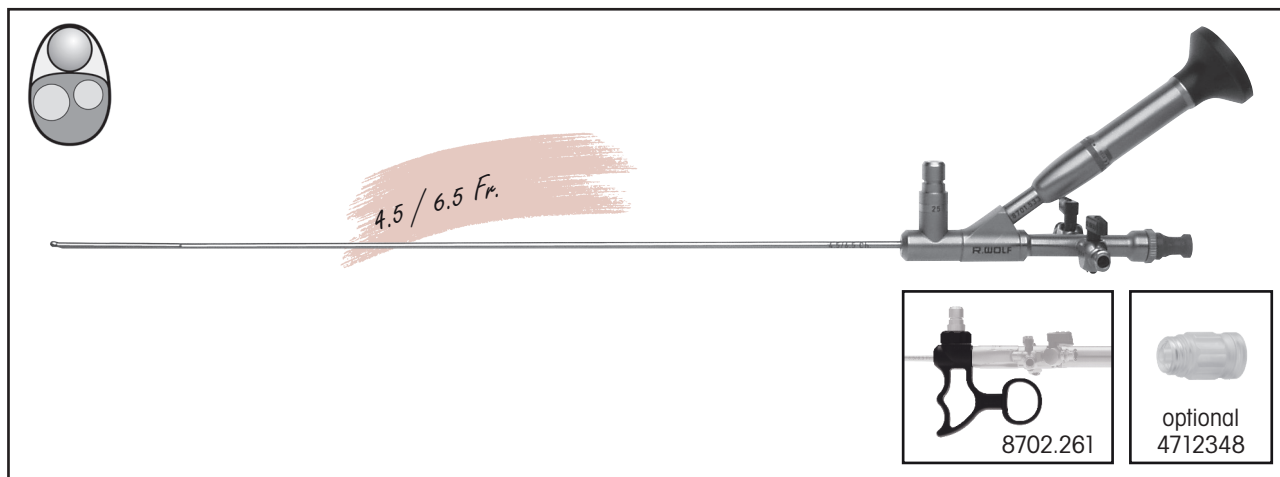
Fiber light cable (80662530), adapter projector side (8095.07) and adapter endoscope side (809509)

Accessory instruments see page 67.

Needle

Fiber ureterorenoscope by Bichler

with oblique eyepiece



- ❑ Stone therapy with laser fiber Ø 272 µm
- ❑ Particularly suitable for primary URS without prior placement of a double J catheter
- ❑ Excellent view thanks to the latest image guide technology and optimum irrigation flow

Fiber ureterorenoscope with oval irrigation and instrument channel, including automatic valve for inserting instrument	Working length	Total length	Telescope	Fr.	Irrigation and instrument channel Fr.	for accessory instruments Fr.	Type
Fiber ureterorenoscope by Bichler	430 mm	570 mm	5°	4.5 / 6.5	3.15 x 3.15	1 x 3	8701.534

Accessories:

Foreign body forceps, flexible, 3 Fr.,
with alligator jaws, WL 530 mm **828.605**

Biopsy forceps, flexible, 3 Fr., WL 530 mm **829.603**

Handle **8702.261**

For inserting accessory instruments of 1 – 6 Fr.:

Universal sealing valve, sterile (pack = 5 pcs.) **4712348**

Membrane retainer, standard **15256.393**

Membrane retainer with Luer **15256.456**

Membrane seal (pack of 10) **89.101**

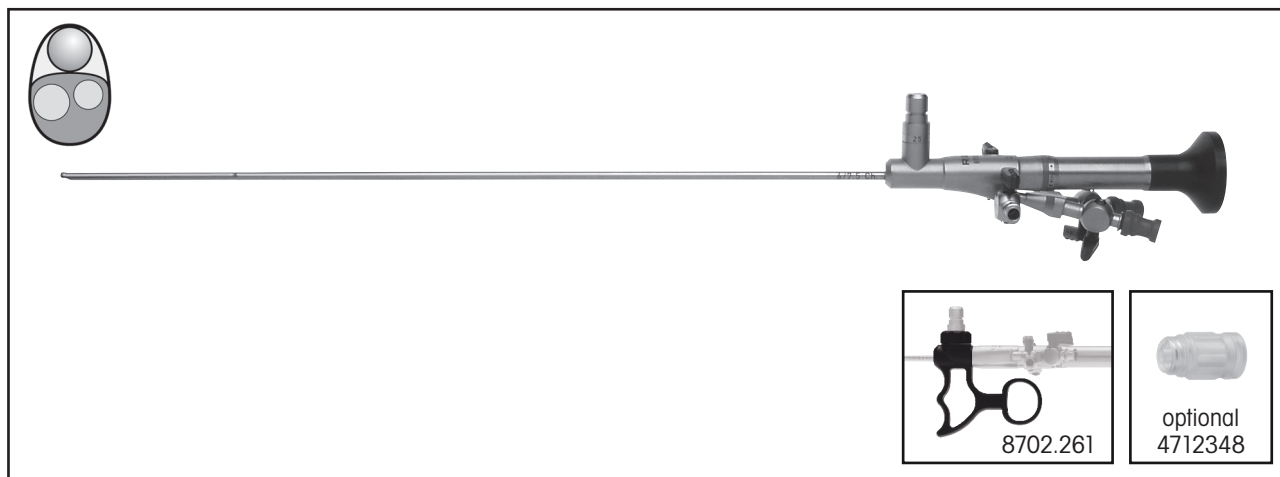
Fiber light cable set, Ø 2.5 mm, 3.0 m long **806625301**

consisting of:

Fiber light cable (80662530), adapter projector side (8095.07) and adapter endoscope side (809509)

Accessory instruments see page 67.

Ultrathin Fiber ureterorenoscope with direct view eyepiece



- ❑ Stone therapy with laser or electrohydraulic lithotripsy
- ❑ Use of flexible accessory instruments or two different instruments such as laser fiber or electrohydraulic probe and stone baskets to stabilize and retrieve the concrement

Fiber ureterorenoscope with oval irrigation and instrument channel	Working length	Total length	Telescope	Fr.	Irrigation and instrument channel Fr.	for accessory instruments Fr.	Type
Fiber Ureterorenoscope	430 mm	560 mm	5°	6 / 7.5	4.2 x 4.6	1 x 4	8702.518
Fiber Ureterorenoscope	330 mm	460 mm	5°	6 / 7.5	4.2 x 4.6	1 x 4	8702.517

Accessories:

Handle **8702.261**

For inserting accessory instruments of 1 – 6 Fr.:

Universal sealing valve, sterile (pack = 5 pcs.)..... **4712348**

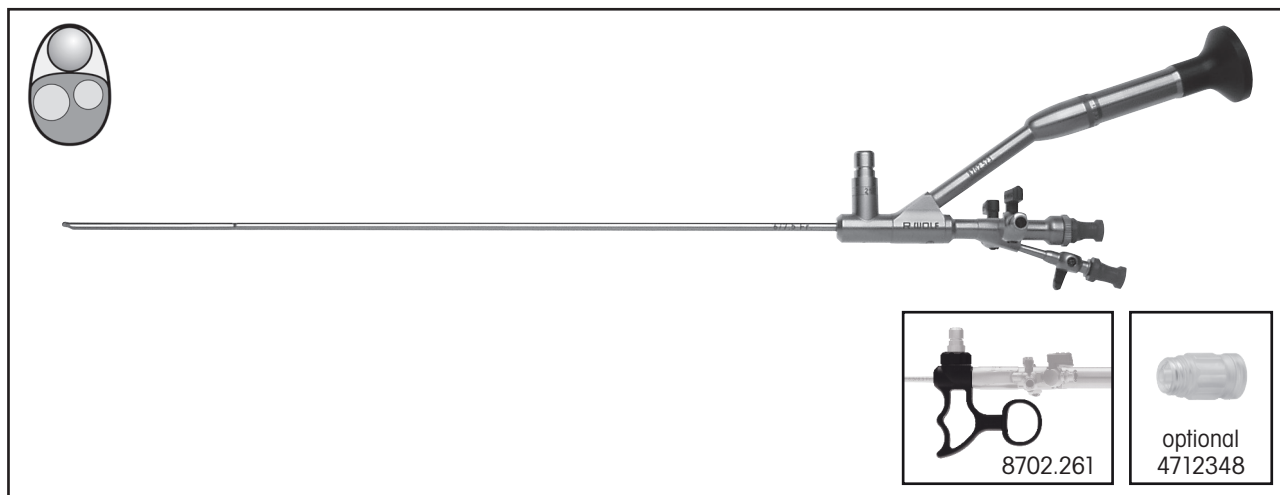
Fiber light cable set, Ø 2.5 mm, 3.0 m long **806625301**

consisting of:

Fiber light cable (80662530), adapter projector side (8095.07) and adapter endoscope side (809509)

Accessory instruments see page 67.

Fiber ureterorenoscope by Marberger with offset eyepiece



- ❑ Stone therapy with laser, ultrasound, electrohydraulic or ballistic lithotripsy
- ❑ Rigid accessory instruments can be used through the straight instrument channel
- ❑ Use of flexible accessory instruments or two different instruments such as laser fiber or electrohydraulic probe and stone baskets to stabilize and retrieve the concrement

Fiber ureterorenoscope with oval irrigation and instrument channel, including automatic valve for inserting instrument	Working length	Total length	Telescope	Fr.	Irrigation and instrument channel Fr.	for accessory instruments Fr.	Type
Fiber ureterorenoscope by Marberger	430 mm	600 mm	5°	6 / 7.5	4.2 x 4.6	1 x 4 or 2 x 2.4	8702.524

Accessories:

Handle **8702.261**

For inserting accessory instruments of 1 – 6 Fr.:

Universal sealing valve, sterile (pack = 5 pcs.)..... **4712348**

Membrane retainer, standard **15256.393**

Membrane retainer with Luer..... **15256.456**

Membrane seal (pack of 10)..... **89.101**

Fiber light cable set, Ø 2.5 mm, 3.0 m long **806625301**

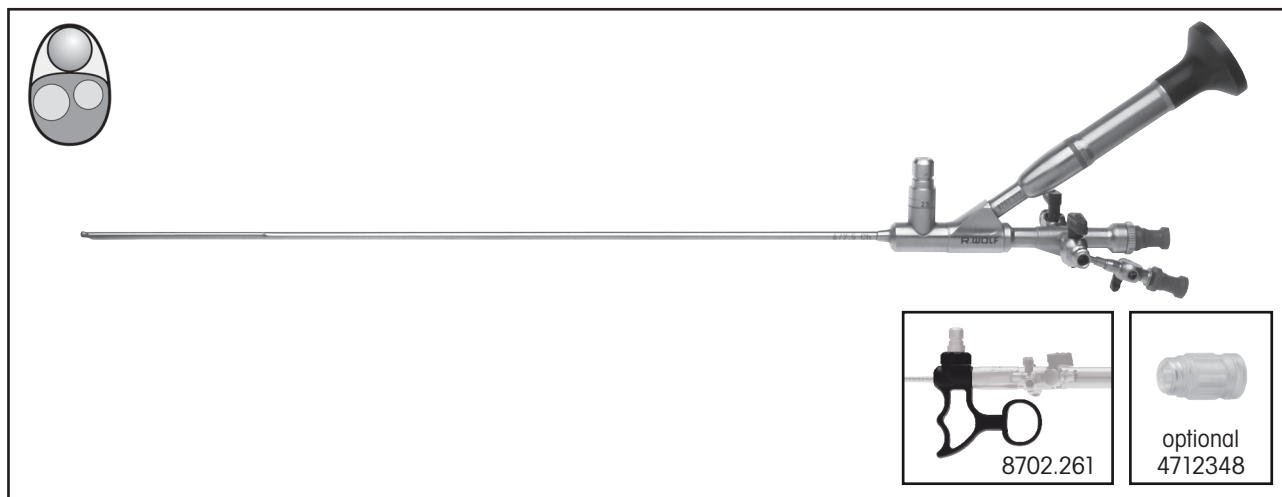
consisting of:

Fiber light cable (80662530), adapter projector side (8095.07) and adapter endoscope side (809509)

Accessory instruments see page 67.

URETERORENOSCOPE

Fiber ureterorenoscope by Bichler with oblique eyepiece



- ❑ Stone therapy with laser, ultrasound, electrohydraulic or ballistic lithotripsy
- ❑ Rigid accessory instruments can be used through the straight instrument channel
- ❑ Use of flexible accessory instruments or two different instruments such as laser fiber or electrohydraulic probe and stone baskets to stabilize and retrieve the concrement

Fiber ureterorenoscope with oval irrigation and instrument channel, including automatic valve for inserting instrument	Working length	Total length	Telescope	Fr.	Irrigation and instrument channel Fr.	for accessory instruments Fr.	Type
Fiber ureterorenoscope by Bichler	430 mm	570 mm	5°	6 / 7.5	4.2 x 4.6	1 x 4 or 2 x 2.4	8702.534

Accessories:

Handle **8702.261**

For inserting accessory instruments of 1 – 6 Fr.:

Universal sealing valve, sterile (pack = 5 pcs.)..... **4712348**

Membrane retainer, standard **15256.393**

Membrane retainer with Luer..... **15256.456**

Membrane seal (pack of 10)..... **89.101**

Fiber light cable set, Ø 2.5 mm, 3.0 m long **806625301**

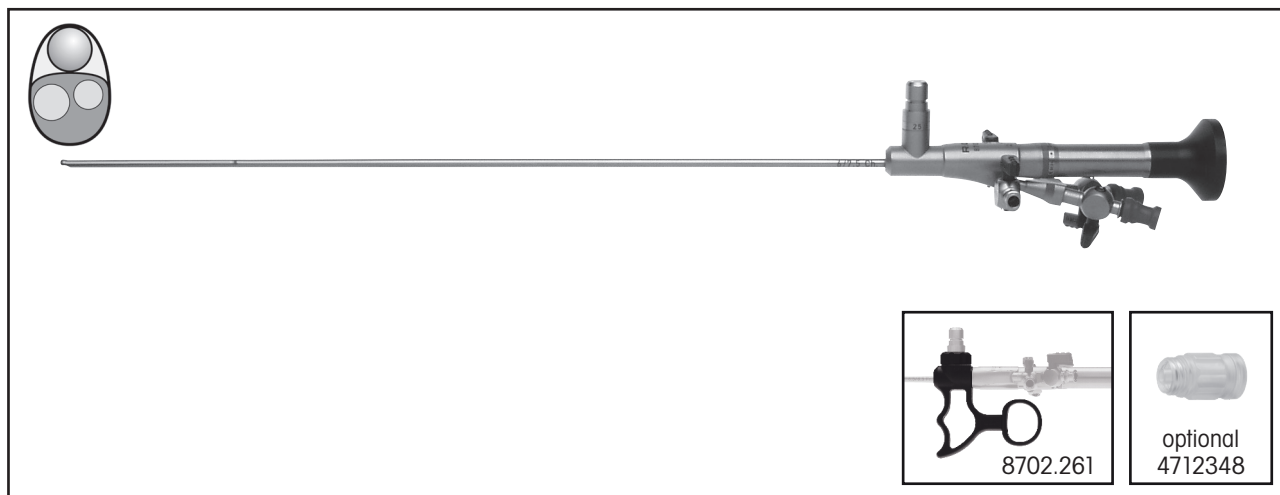
consisting of:

Fiber light cable (80662530), adapter projector side (8095.07) and adapter endoscope side (809509)

Accessory instruments see page 67.

URETERORENOSCOPE

Fiber ureterorenoscope with direct view eyepiece



- ❑ Stone therapy with laser or electrohydraulic lithotripsy
- ❑ Use of flexible accessory instruments or two different instruments such as laser fiber or electrohydraulic probe and stone baskets to stabilize and retrieve the concrement

Fiber ureterorenoscope with oval irrigation and instrument channel	Working length	Total length	Telescope	Fr.	Irrigation and instrument channel Fr.	for accessory instruments Fr.	Type
Fiber ureterorenoscope	430 mm	560 mm	12°	8 / 9.8	5.2 x 6.2	1 x 5	8703.518
Fiber ureterorenoscope	330 mm	460 mm	12°	8 / 9.8	5.2 x 6.2	1 x 5	8703.517

URETERORENOSCOPE

Accessories:

Handle **8702.261**

For inserting accessory instruments of 1 – 6 Fr.:

Universal sealing valve, sterile (pack = 5 pcs.) **4712348**

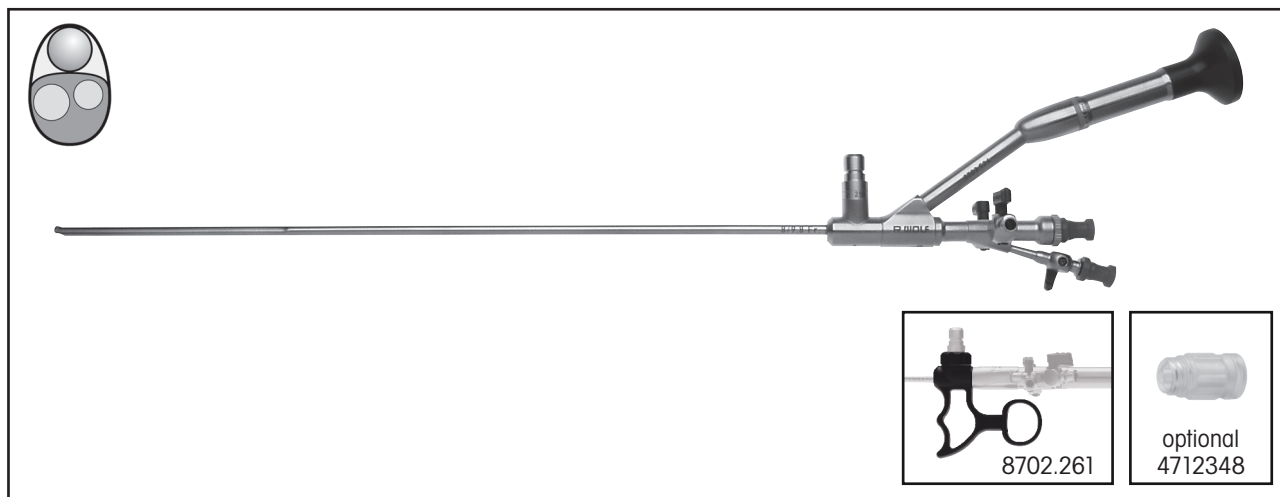
Fiber light cable set, Ø 2.5 mm, 3.0 m long **806625301**

consisting of:

Fiber light cable (80662530), adapter projector side (8095.07) and adapter endoscope side (809509)

Accessory instruments see page 67.

Fiber ureterorenoscope by Marberger with offset eyepiece



- ❑ Stone therapy with laser, ultrasound, electrohydraulic or ballistic lithotripsy
- ❑ Rigid accessory instruments can be used through the straight instrument channel
- ❑ Use of flexible accessory instruments or two different instruments such as laser fiber or electrohydraulic probe and stone baskets to stabilize and retrieve the concrement

Fiber ureterorenoscope with oval irrigation and instrument channel, including automatic valve for inserting instrument	Working length	Total length	Telescope	Fr.	Irrigation and instrument channel Fr.	for accessory instruments Fr.	Type
Fiber ureterorenoscope by Marberger	430 mm	600 mm	12°	8 / 9.8	5.2 x 6.2	1 x 5 or 2 x 3	8703.524

Accessories:

Handle **8702.261**

For inserting accessory instruments of 1 – 6 Fr.:

Universal sealing valve, sterile (pack = 5 pcs.)..... **4712348**

Membrane retainer, standard **15256.393**

Membrane retainer with Luer..... **15256.456**

Membrane seal (pack of 10)..... **89.101**

Fiber light cable set, Ø 2.5 mm, 3.0 m long **806625301**

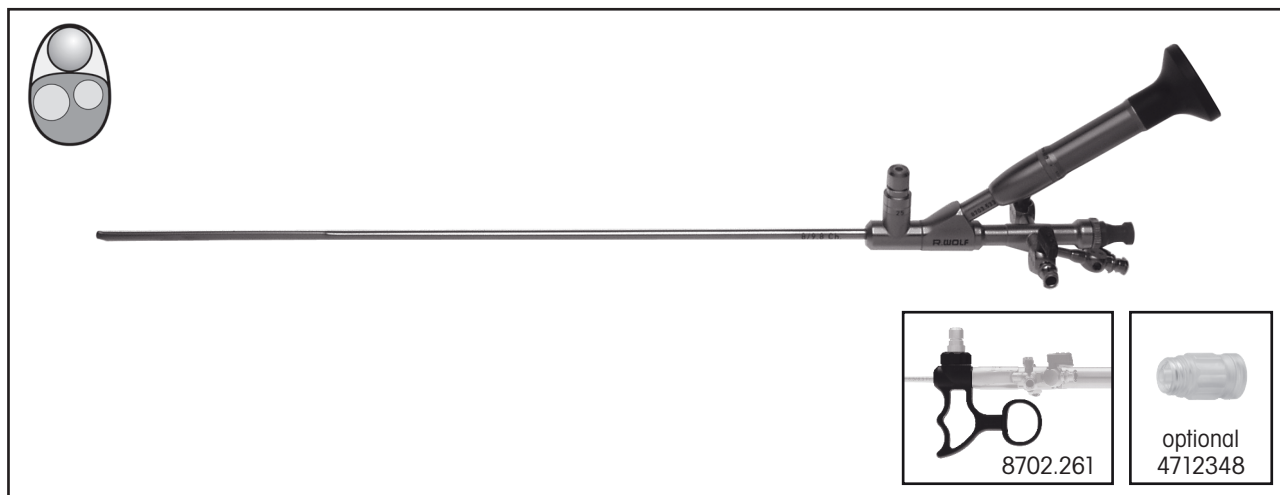
consisting of:

Fiber light cable (80662530), adapter projector side (8095.07) and adapter endoscope side (809509)

Accessory instruments see page 67.

URETERORENOSCOPE

Fiber ureterorenoscope by Bichler with oblique eyepiece



- ❑ Stone therapy with laser, ultrasound, electrohydraulic or ballistic lithotripsy
- ❑ Rigid accessory instruments can be used through the straight instrument channel
- ❑ Use of flexible accessory instruments or two different instruments such as laser fiber or electrohydraulic probe and stone baskets to stabilize and retrieve the concrement

Fiber ureterorenoscope with oval irrigation and instrument channel, including automatic valve for inserting instrument	Working length	Total length	Telescope	Fr.	Irrigation and instrument channel Fr.	for accessory instruments Fr.	Type
Fiber ureterorenoscope by Bichler	430 mm	570 mm	12°	8 / 9.8	5.2 x 6.2	1 x 5 or 2 x 3	8703.534

Accessories:

Handle	8702.261
Guide for US transducer	8702.271
For inserting accessory instruments of 1 – 6 Fr.:	
Universal sealing valve , sterile (pack = 5 pcs.).....	4712348
Membrane retainer , standard	15256.393
Membrane retainer with Luer.....	15256.456
Membrane seal (pack of 10).....	89.101
Fiber light cable set , Ø 2.5 mm, 3.0 m long	806625301

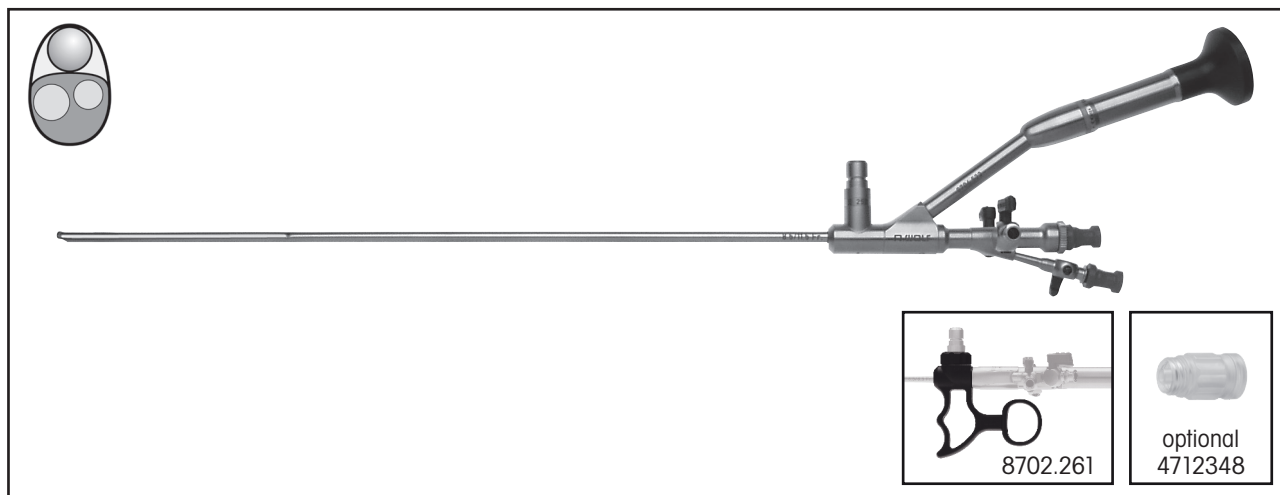
consisting of:

Fiber light cable (80662530), adapter projector side (8095.07) and adapter endoscope side (809509)

Accessory instruments see page 67.

URETERORENOSCOPE

Fiber ureterorenoscope by Marberger with offset eyepiece



- ❑ Stone therapy with laser, ultrasound, electrohydraulic or ballistic lithotripsy
- ❑ Rigid accessory instruments can be used through the straight instrument channel
- ❑ Use of flexible accessory instruments or two different instruments such as laser fiber or electrohydraulic probe and stone baskets to stabilize and retrieve the concrement

Fiber ureterorenoscope with oval irrigation and instrument channel, including automatic valve for inserting instrument	Working length	Total length	Telescope	Fr.	Irrigation and instrument channel Fr.	for accessory instruments Fr.	Type
Fiber ureterorenoscope by Marberger	430 mm	600 mm	12°	8.5 / 11.5	6.2 x 8.2	1 x 6 or 2 x 4	8704.524

Accessories:

Handle **8702.261**

For inserting accessory instruments of 1 – 6 Fr.:

Universal sealing valve, sterile (pack = 5 pcs.)..... **4712348**

Membrane retainer, standard **15256.393**

Membrane retainer with Luer..... **15256.456**

Membrane seal (pack of 10)..... **89.101**

Fiber light cable set, Ø 2.5 mm, 3.0 m long **806625301**

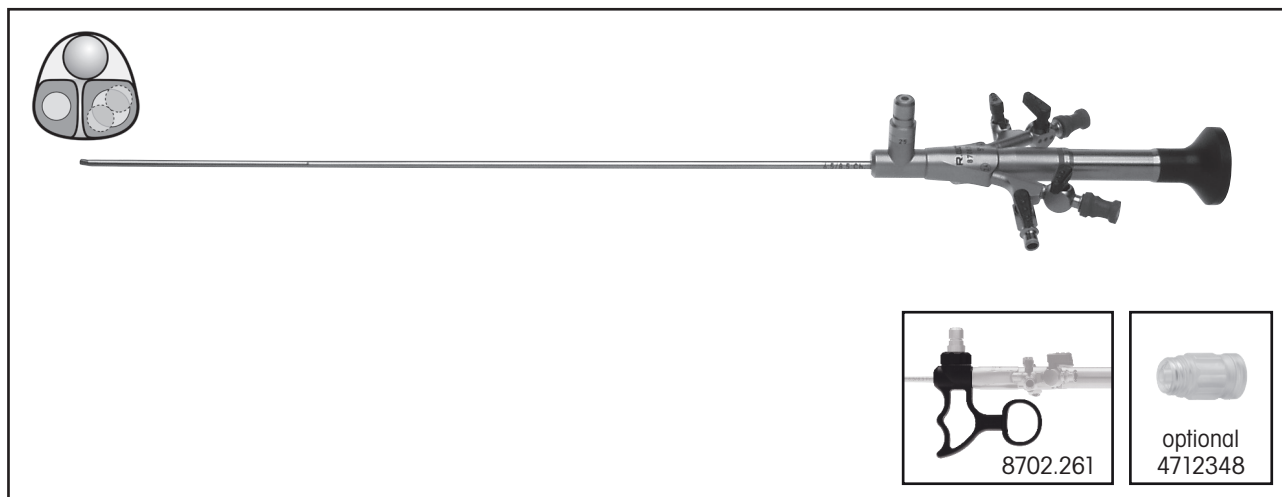
consisting of:

Fiber light cable (80662530), adapter projector side (8095.07) and adapter endoscope side (809509)

Accessory instruments see page 67.

URETERORENOSCOPE

D.O.C. (Dual Operating Channel) ureterorenoscope with direct view eyepiece



- ❑ Optimum view
- ❑ Largest working channels—with smallest outer dimensions
- ❑ Simultaneous use of two accessory instruments
- ❑ No annoying "Flush-back" effect
- ❑ High-quality materials for maximum stability and long working life

Continuous-irrigation ureterorenoscope with irrigation and instrument channel	Working length	Total length	Telescope	Fr.	Irrigation and instrument channel Fr.	for accessory instruments Fr.	Type
Continuous-irrigation ureterorenoscope, direct view eyepiece, with 2-channel continuous-irrigation system	430 mm	558 mm	5°	6.5 / 8.5	1 x 4.2 and 1 x 2.55	1 x 4 and 1 x 2.4	8708.518
Continuous-irrigation ureterorenoscope, direct view eyepiece, with 2-channel continuous-irrigation system	330 mm	458 mm	5°	6.5 / 8.5	1 x 4.2 and 1 x 2.55	1 x 4 and 1 x 2.4	8708.517

Accessories:

Handle **8702.261**

For inserting accessory instruments of 1-6 Fr.:

Universal sealing valve, sterile (pack = 5 pcs.)..... **4712348**

Fiber light cable set, Ø 2.5 mm, 3.0 m long **806625301**

consisting of:

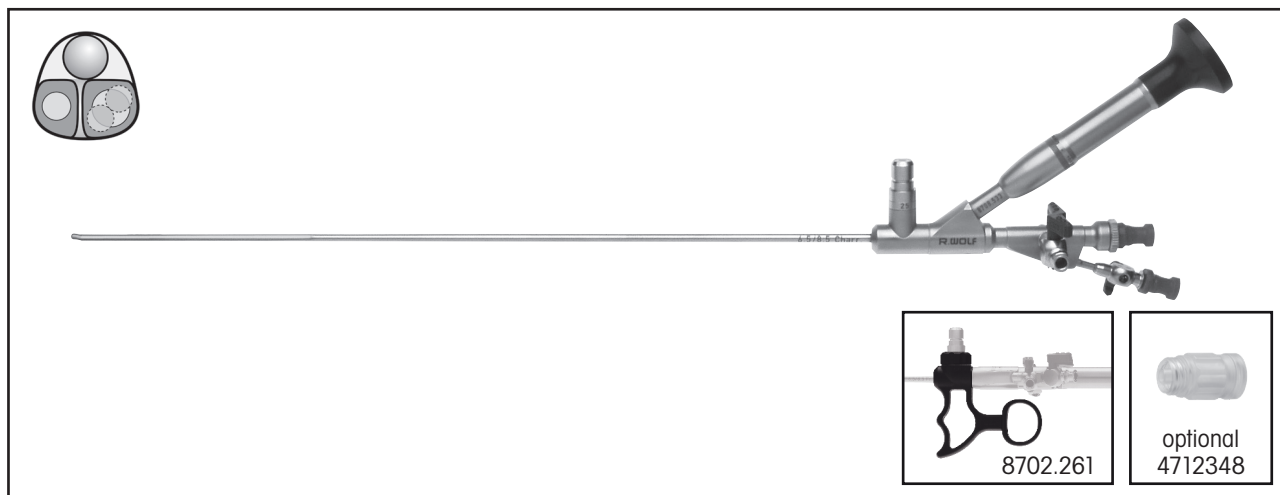
Fiber light cable (80662530), adapter projector side (8095.07) and adapter endoscope side (809509)

Accessory instruments see page 67.

URETERORENOSCOPE

E-line

Continuous-irrigation ureterorenoscope with oblique eyepiece



- ❑ Optimum view
- ❑ Largest working channels – with smallest outer dimensions
- ❑ Simultaneous use of two accessory instruments
- ❑ No annoying "Flush-back" effect
- ❑ High-quality materials for maximum stability and long working life

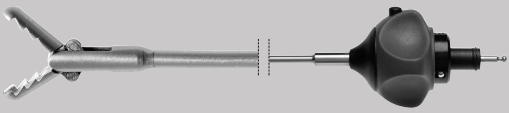





Continuous-irrigation ureterorenoscope with irrigation and instrument channel	Working length	Total length	Telescope	Fr.	Irrigation and instrument channel Fr.	for accessory instruments Fr.	Type
Continuous-irrigation ureterorenoscope, oblique eyepiece, with 2-channel continuous-irrigation system	430 mm	563 mm	5°	6.5 / 8.5	1 x 4.2 and 1 x 2.55	1 x 4 and 1 x 2.4	8708.534

Accessories:

Handle	8702.261
For inserting accessory instruments of 1 – 6 Fr.:	
Universal sealing valve , sterile (pack = 5 pcs.).....	4712348
Membrane retainer , standard	15256.393
Membrane retainer with Luer.....	15256.456
Membrane seal (pack of 10).....	89.101

Accessory instruments see page 67.


Rigid accessory instruments
micro modular system **HySafe**
360° rotatable, flushable, easy click

Insert with sheath					Handle with overload protection 	Complete Instrument • Insert with sheath • Handle
	Recommended fields of application	Types	Fr.	WL		
Biopsy forceps 	Ureterorenoscopy	8952.6008	5	550	8083.001	8952.6002
Grasping forceps with mouse jaws 		8952.6118	4	550		8952.6112
Grasping forceps with alligator jaws 		8952.6218	5	550		8952.6212
Grasping forceps with alligator jaws 		8954.6808	5	550		8954.6802
		8952.6508	5	550		8952.6502

URETERORENOSCOPE

RIWO D-URS

Disposable Sensor Ureteroscope



	Outer Ø	WL	Product Number
Sensor Ureteroscope 9 Fr. WL 600 mm (Pack of 3)	9 Fr.	600 mm	473572076

Camera Controllers

The **RIWO D-URS** is compatible with the following Richard Wolf camera controllers using the adapter (5525410).

- ENDOCAM Logic HD Camera Controller.....5525106**
- ENDOCAM Logic HD *lite* Camera Controller5525201**
- ENDOCAM Logic 4K Camera Controller5525301**
- Adapter for ENDOCAM Logic Camera Controller.....5525410**

* Software version V2.0.9 or higher

ENDOCAM D Camera Controller Bundle

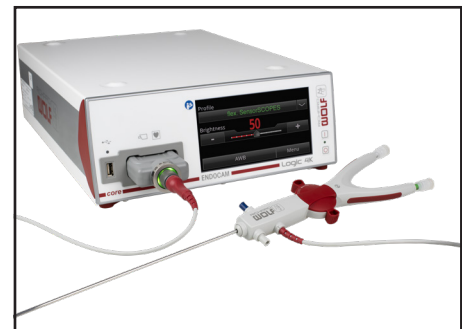
comprising:

ENDOCAM D Camera Controller (5522101), HDMI/DVI cable 3.0 m lockable (103843), Coaxial Cable Vektor Plus 3.0 m (DZGR-0300-SW-GN), License for open source software (72321911), Power cable (N710171)

.....**55221015**






Also:

- Manual remote5525401**
- 2 Port HDMI 18G Bi-Directional Switch.....38336**

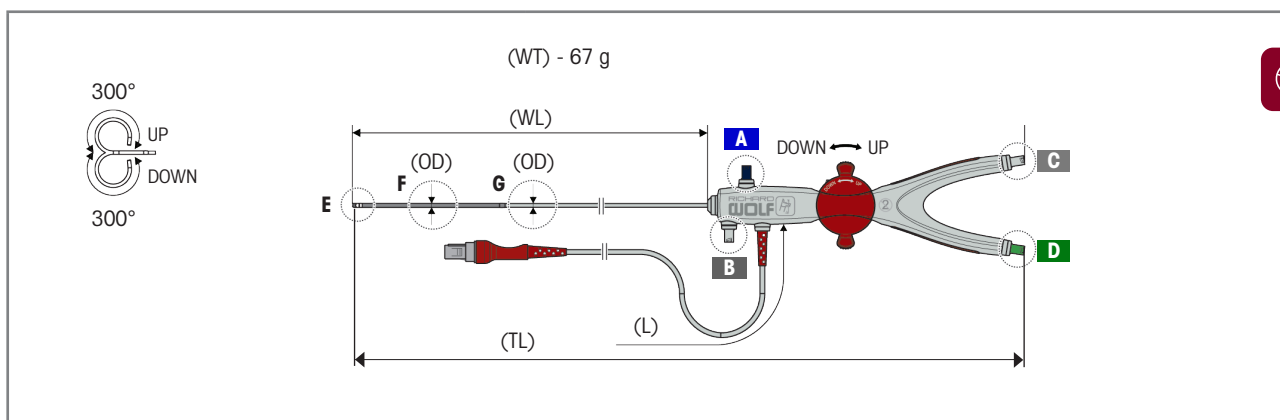


URETEROSCOPE

Disposable Sensor Ureteroscope

		Outer Ø	WL	Product Number
Flex. biopsy forceps Ø 3 Fr. WL 920 mm		3 Fr.	920 mm	829.601
Flex. grasp. forceps Ø 3 Fr. WL 920 mm		3 Fr.	920 mm	828.651
Universal sealing valve 1-6 Fr. (Pack of 5), for introducing instruments from 1-6 Fr., sterile, for single use				4712348
Luer sealing cap				15023205
Rubber Cap Capacity 0.8 mm (pack of 10)				88.01

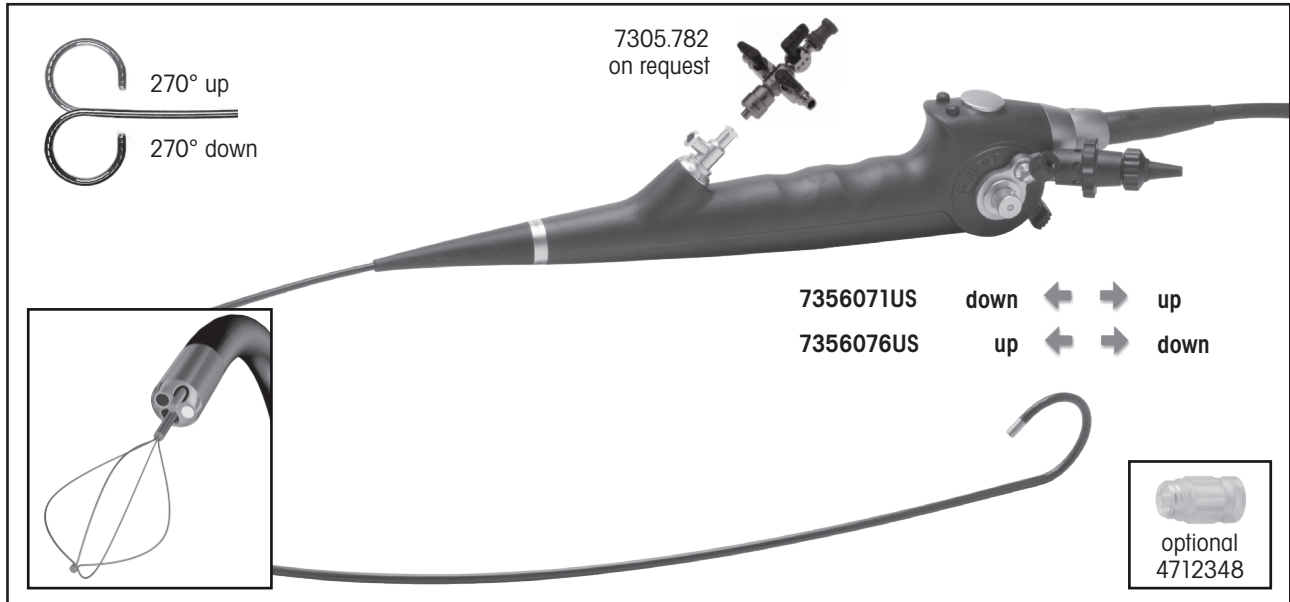
Technical data



Working length (WL)	600 mm
Total length (TL)	830 mm
Cable length (L)	2,500 mm
Outer diameter (OD) (flexible area) F	9 Fr.
Weight (WT)	67 g
Outer diameter (OD) (semi-rigid area) G	8.1 Fr.
Distal instrument tip E	6 Fr.
Working channel (C)	3.6 Fr.
Laser fiber channel (D)	1.65 Fr.
Deflection	+/-300° (upward/downward)
Direction of view	0°
Angle of view	90°
Luer connection for inlet, color: blue A	Ø 3.0 mm
Luer connection for outlet, color: gray B	Ø 3.0 mm
Luer connection for working channel, color: gray C	Ø 3.0 mm
Luer connection for laser fiber channel, color: green D	Ø 3.0 mm

COBRA
VISION

Flexible 2-channel sensor ureterorenoscopes
for ENDOCAM® *Logic HD* and 4K Controller



- ❑ The only flexible dual channel Sensor URS available in the marketplace
- ❑ Laser and irrigation channel 2.4 Fr.
- ❑ Laser channel for fibers up to 365 µm
- ❑ Large 3.6 Fr. working and irrigation channel for high irrigation
- ❑ LED technology for homogeneous illumination
- ❑ No separate light source and light cable necessary
- ❑ Laser shifter controls movement of the laser fiber
- ❑ Optimized channel position for precise positioning of the laser fiber and simple collection of stone concretions:
laser channel at 9 o'clock, working channel at 6 o'clock

URETERORENOSCOPE

COBRA vision flexible Sensor URS Set	Ureterorenoscope included in set	WL mm	Fr.	Working and irrigation channels	Viewing direction	Angle of view	Set
consisting of: COBRA vision flexible Sensor URS, disposable cleaning brush (pack of 10, 7990001), disposable cleaning brush (pack of 10, 7990003), adapter (163914), leak tester (163.903), pressure equalization valve (163.904), clamping element, orange (pack of 20, 15394144)	7356071US	680	5.2 / 9.9	Irrigation channel 2.4 Fr.	0°	90°	Movement of the control lever distally - articulation of the tip downward 73560712US
	7356076US			Working and irrigation channel 3.6 Fr.			Movement of the control lever distally - articulation of the tip upward 73560762US










Flexible 2-channel sensor ureterorenoscopes

Technical data

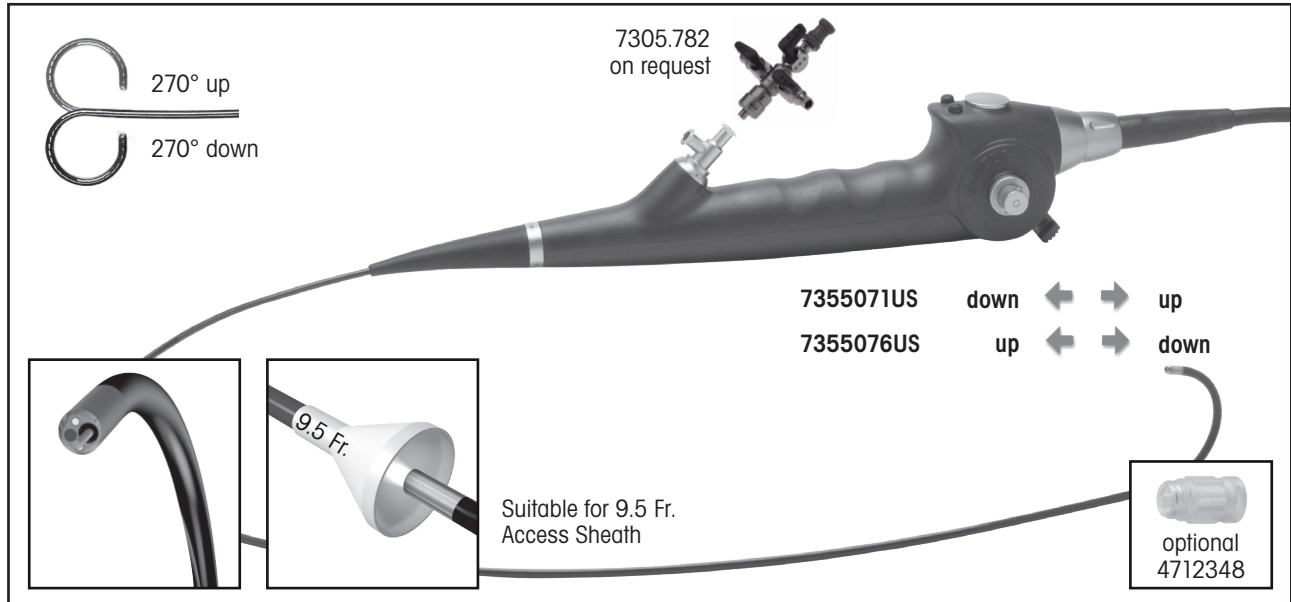
Distal tip	Cylindrical, atraumatic, oblique distal stainless steel tip 5.2 Fr.
Sheath diameter	9.9 Fr.
Number of working channels	2
Working/irrigation channel diameter	3.6 Fr.
Laser/irrigation channel diameter	2.4 Fr.
Angulation	270° upward, 270° downward
Working length	680 mm
Viewing angle	90°
Handle	Integrated LED lighting, ergonomically contoured handle with axial camera cable
Positioning of the working and irrigation channel to the image	at 6 o'clock
Positioning of the laser and irrigation channel to the image	at 9 o'clock
Endoimage	Square, 6-fold size adjustment, automatic light control and focusing
Endocamera	Compatible with all ENDOCAM Logic 4K HD controllers and the ENDOCAM Logic HD / lite Controller

Flexible 2-channel sensor ureterorenoscopes

Accessories and auxiliary instruments

	Outer - Ø	WL	Types
Biopsy forceps 	1.0 mm 3 Fr.	920 mm	829.601
Foreign body forceps 	1.0 mm 3 Fr.	920 mm	828.651
Button electrode 	1.0 mm 3 Fr.	920 mm	8741.80
Attachment with instrument insertion tap 			7305.782
Sterile universal sealing valve (pack of 5) for inserting accessory instruments of 1 – 6 Fr. 			4712348
For closing the 2nd luer connector: Luer sealing cap 			15023205
Laser adjustment unit, complete 			15369108
Clamping element, orange (pack of 20) 			15394144
Uro flex endoscope tray plastic 			8585035

Flexible 1-channel sensor ureterorenoscopes for ENDOCAM® Logic HD and 4K Controller



- ❑ The only flexible Sensor URS which fits through a 9.5 Fr. access sheath
- ❑ Universal single channel Sensor URS
- ❑ Large 3.6 Fr. working and irrigation channel for high-performance
- ❑ LED technology for homogeneous illumination
- ❑ No separate light source and light cable necessary
- ❑ Slimline and continuously cylindrical sheath
- ❑ Optimized channel position for precise working: working channel at 9 o'clock

URETERORENOSCOPE

BOA vision flexible Sensor URS Bundle	Ureterorenoscope included in set	WL mm	Fr.	Working and irrigation channels	Viewing direction	Angle of view	Set
consisting of: BOA vision flexible Sensor URS, disposable cleaning brush (pack of 10, 7990001), leak tester (163.903), pressure equalization valve (163.904)	7355071US	680	6.6 / 8.7	Working and irrigation channel 3.6 Fr.	0°	90°	Movement of the control lever distally - articulation of the tip downward 73550712US
	7355076US						Movement of the control lever distally - articulation of the tip upward 73550762US



Flexible 1-channel sensor ureterorenoscopes









Technical data

Distal tip	Cylindrical, atraumatic, oblique distal stainless steel tip 6.6 Fr.
Sheath diameter	8.7 Fr.
Number of working channels	1
Working/irrigation channel diameter	3.6 Fr.
Angulation	270° upward, 270° downward
Working length	680 mm
Viewing angle	90°
Handle	Integrated LED lighting, ergonomically contoured handle with axial camera cable
Positioning of the working and irrigation channel to the image	at 6 o'clock
Endoimage	Square, 6-fold size adjustment, automatic light control and focusing
Endocamera	Compatible with all ENDOCAM Logic 4K HD controllers and the ENDOCAM Logic HD / lite Controller

URETERORENOSCOPE

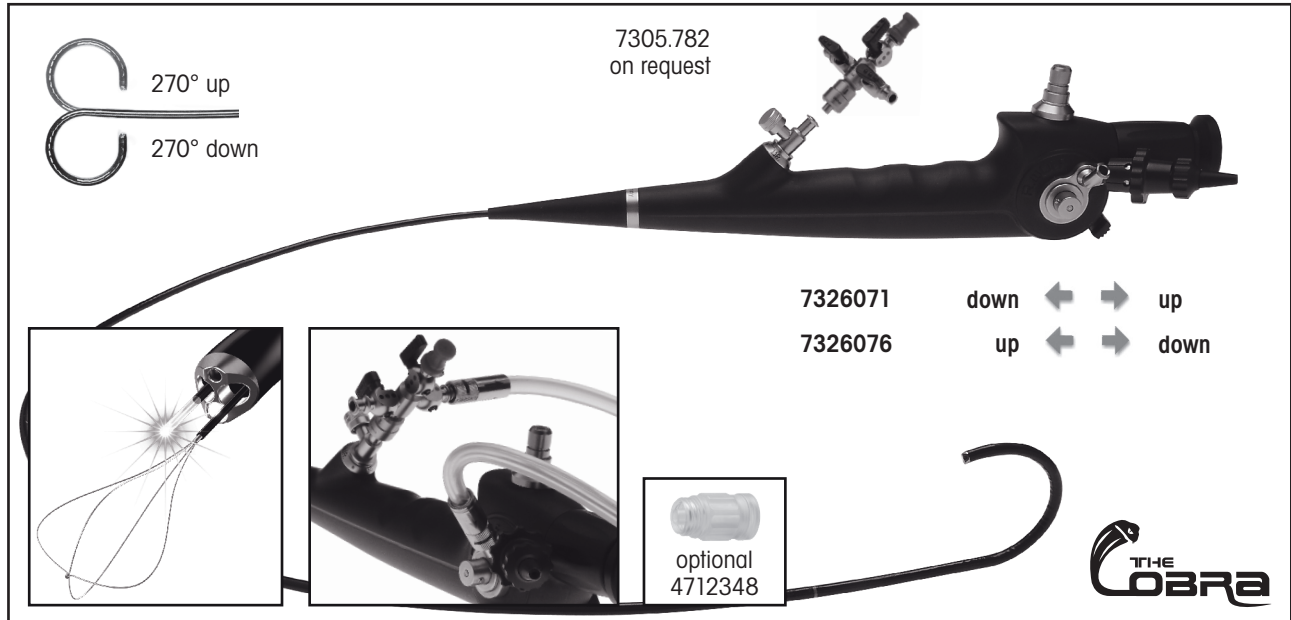
Flexible 1-channel sensor ureterorenoscopes

Accessories and auxiliary instruments

	Outer - Ø	WL	Types
Biopsy forceps 	1.0 mm 3 Fr.	920 mm	829.601
Foreign body forceps 	1.0 mm 3 Fr.	920 mm	828.651
Button electrode 	1.0 mm 3 Fr.	920 mm	8741.80
Attachment with instrument insertion tap 			7305.782
Sterile universal sealing valve (pack of 5) for inserting accessory instruments of 1 – 6 Fr. 			4712348
Adapter for automatic leak test 			163.905
For closing the 2nd luer connector: Luer sealing cap 			15023205
Uro flex endoscope tray plastic 			8585035



Flexible fiber 2-channel continuous-irrigation laser-uretero-renoscopes



First flexible 2-channel laser uretero-renaloscope!

- ❑ Laser channel for fibers up to 365µm
- ❑ Simple control of the laser fiber with special laser shifter
- ❑ Best picture quality thanks to continuous irrigation
- ❑ Faster working without constantly changing between laser fiber and stone basket, because both can be used at the same time
- ❑ 2-channel to provide option of continuous irrigation or dual irrigation
- ❑ Brake mechanism for locking the instrument tip

URETERORENOSCOPE

2-channel laser ureterorenoscope set	Ureterorenoscope included in set	WL mm	Fr.	Working and irrigation channels	Viewing direction	Angle of view	Set
consisting of: 2-channel laser URS, spring piece for laser fiber, orange (pack of 20) (15394144), gas steri valve (163.904), leak tester with bayonet connection (163.903), cleaning adapter (163914), disposable cleaning brush (pack of 10, 7990001)	7326071	680	6 / 9.9	2 x 3.3 Fr.	0°	85°	Forward movement of the control lever - downward movement of the tip 732607111
	7326076						Forward movement of the control lever - upward movement of the tip 732607611

Accessories:

Fiber light cable set, Ø 2.5 mm, 3.0 m long 806625301










Consisting of:

Fiber light cable (80662530), adapter projector side (8095.07) and adapter endoscope side (809509)



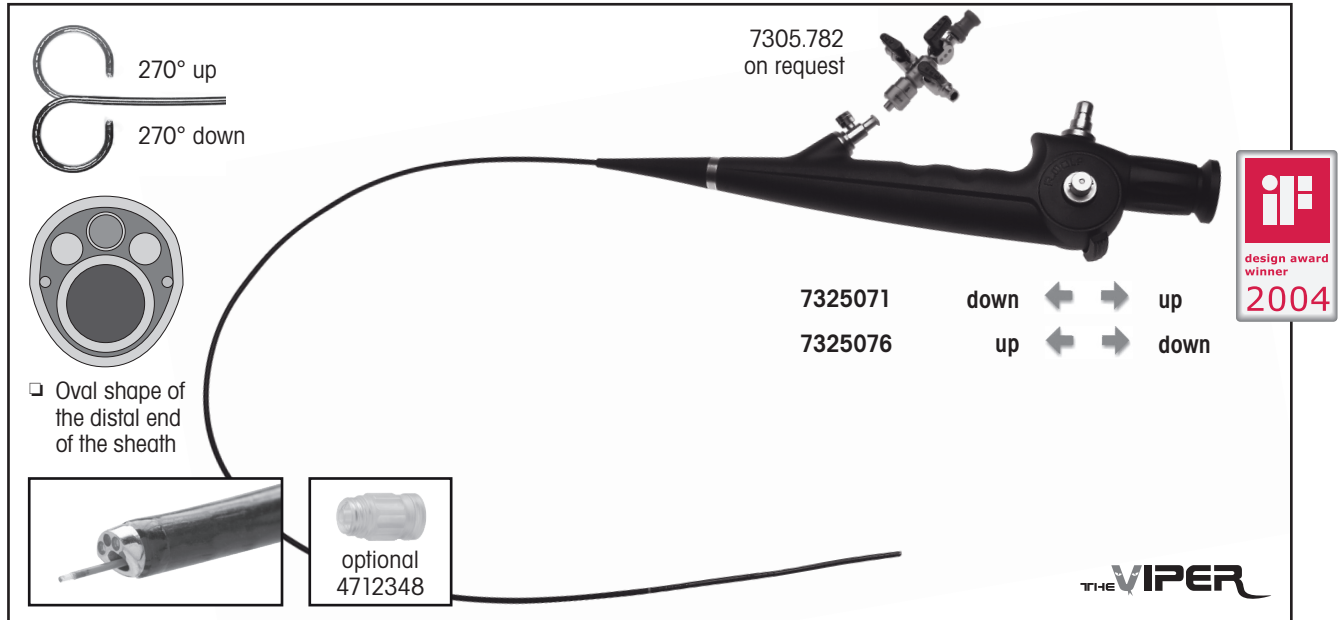
Accessories and accessory instruments

For flexible 2-channel continuous-irrigation laser URS

	Outer - Ø	WL	Types
Biopsy forceps 	1.0 mm 3 Fr.	920 mm	829.601
Foreign body forceps 	1.0 mm 3 Fr.	920 mm	828.651
Button electrode 	1.0 mm 3 Fr.	920 mm	8741.80
Attachment with instrument insertion tap 			7305.782
Sterile universal sealing valve (pack of 5) for inserting accessory instruments of 1 – 6 Fr. 			4712348
For closing the 2nd luer connector: Luer sealing cap 			15023205
Laser adjustment unit, complete 			15369108
Clamping element, orange (pack of 20) 			15394144
Flexible Fiberscope Tray 			85850302

THE VIPER

Flexible fiber ureterorenoscopes
270°



- ❑ Atraumatic adapted instrument tip
- ❑ Design Award Winner 2004
- ❑ Ergonomical handle design
- ❑ A convincing image
- ❑ Active angulation of 270° in either direction and additional passive angulation
- ❑ Universal Luer connector

URETERORENOSCOPE

Flexible fiber ureterorenoscope 270° set	Ureterorenoscope included in set	WL mm	Fr.	Working and irrigation channels	Viewing direction	Angle of view	Set
consisting of: Flexible fiber URS, leak tester with bayonet connection (163.903), gas steri valve (163.904), disposable cleaning brush (pack of 10, 7990001) and case	7325.071	680	6 / 9.6	3.6 Fr.	0°	85°	Forward movement of the control lever - downward movement of the tip 73250715
	7325.076						Forward movement of the control lever - upward movement of the tip 73250765

Accessories:








Fiber light cable set, Ø 2.5 mm, 3.0 m long **806625301**

Consisting of:









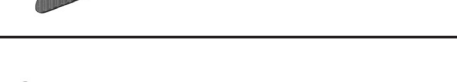
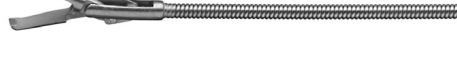

Fiber light cable (80662530), adapter projector side (8095.07) and adapter endoscope side (809509)

Accessories and accessory instruments

For flexible fiber uretero-roscope 270°

	Outer - Ø	WL	Types
Biopsy forceps 	1.0 mm 3 Fr.	920 mm	829.601
Foreign body forceps 	1.0 mm 3 Fr.	920 mm	828.651
Button electrode 	1.0 mm 3 Fr.	920 mm	8741.80
Attachment with instrument insertion tap 			7305.782
Sterile universal sealing valve (pack of 5) for inserting accessory instruments of 1 – 6 Fr. 			4712348
For closing the 2nd luer connector: Luer sealing cap 			15023205
Flexible Fiberscope Tray 			85850302

Forceps and Scissors, flexible for ureterorenoscopes

		Working length	Fr.	Types
	Biopsy forceps	920 mm	3	829.601
	Biopsy forceps	550 mm	3.5	8953.60
	Biopsy forceps	600 mm	4	8734.606
	Biopsy forceps	850 mm	4	8734.608
	Biopsy forceps	550 mm	5	829.051
	Foreign body forceps	920 mm	3	828.651
	Grasping forceps	600 mm	4	8734.656
	Grasping forceps	850 mm	4	8734.658
	Grasping forceps, mouse-tooth	600 mm	4	8734.686
		550 mm	5	8735.685
	Grasping forceps,	545 mm	5	8950.66
	Grasping forceps	550 mm	5	828.051

URETERORENOSCOPE

Percutaneous low-pressure universal nephroscopes



For examination, stone extraction, ultrasound litholapaxy or electro-hydraulic lithotripsy.

- ❑ PANOVIEW operating telescope with oval instrument channel and laterally mounted eyepiece or obliquely offset eyepiece
- ❑ Optimum view of probes or forceps even in very constricted areas
- ❑ Oval irrigation and probe channel
- ❑ PANOVIEW telescopes for examination of the calyceal system
- ❑ Sheaths with irrigation outlets at the distal tip and rotatable, maintenance-free irrigation tap
- ❑ Hollow obturator for use over a J-guide wire
- ❑ Large lumen operating tubes
- ❑ Ultrasound sonotrodes in various sizes
- ❑ Sturdy grasping forceps and stone extractors

Dilators

for percutaneous low-pressure
universal nephroscopes

Telescope dilator

for use over a J-guide wire

consisting of:

1 hollow guide rod 6 Fr. (8955.06)

on request:

Dilator, for "one-step" dilatation, length 320 mm

12 Fr. 8968.012

15 Fr. 8968.015

Dilator, 30 Fr. 8955.308

Dilatation guide rod, 9 Fr.

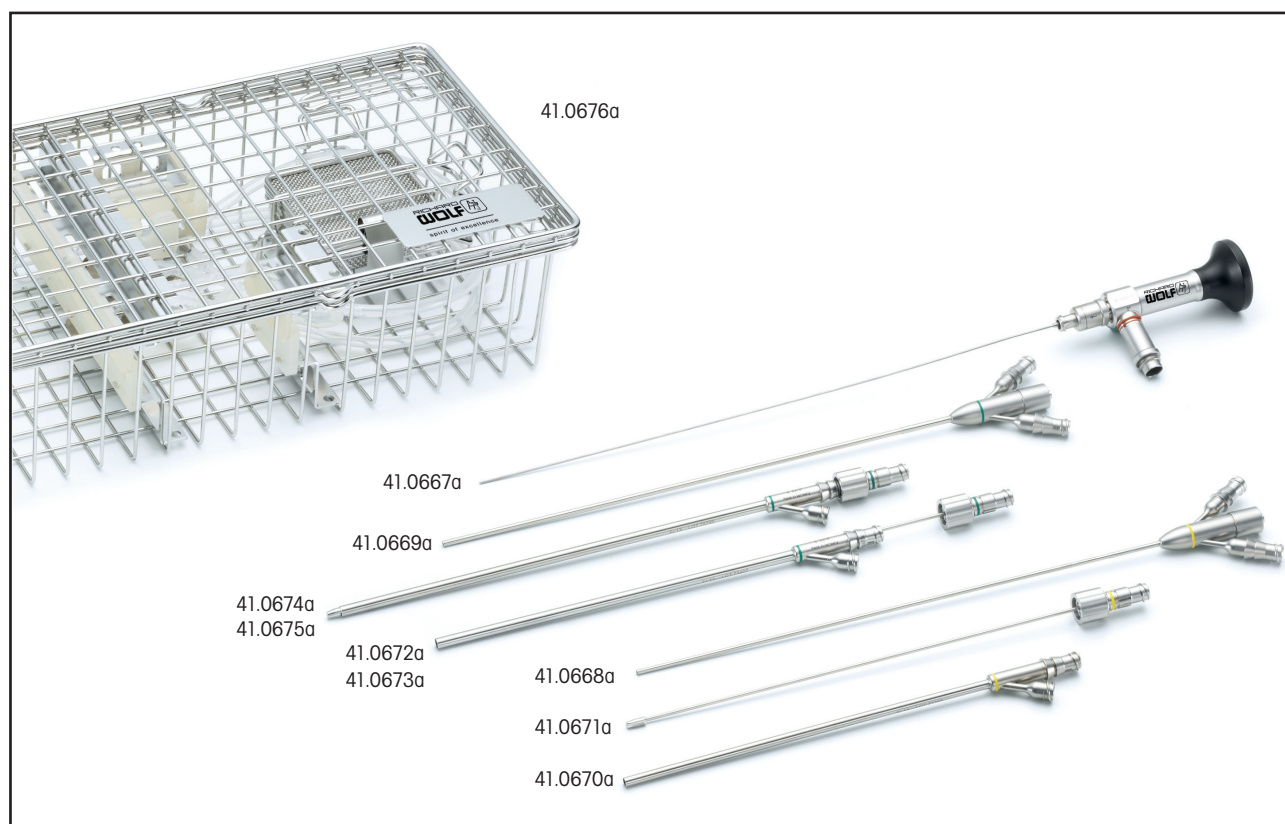
with larger internal diameter for introducing a second guide wire 8962.19

It is often difficult, particularly with patients who have already undergone surgery, to dilate the nephrostomy tract to 24 or 26 Fr., because the scar tissue is usually hard and inelastic. Cold slitting of this tissue makes access much easier.

The subsequent dilatation then only involves the transparenchymatous area of the kidney.

Ultra-Mini PCNL (UMP) Set

Efficiency in a new size.



- ❑ High stone-free rate with low pressure and integrated, high-flow irrigation sheath.
- ❑ Small, 4 mm incision.
- ❑ Gentle and atraumatic intervention—the small puncture causes minimal dilation of the tissue.
- ❑ Lightweight design.
- ❑ Specially designed, state-of-the-art access sheath with water jet channel for creating turbulence of fragments and a whirlpool effect to evacuate the stone fragments without further instrumentation.
- ❑ Excellent image quality and outstanding color reproduction.

UMP Bundle

Ultra-Mini Nephroscope, all sheaths and obturators, cleaning basket, cleaning brush set, and

sealing caps **41.0665a**

UMP–Optic Irrigation Tube **41.0666a**

UMP–Ultra-Mini Nephroscope, 3.0 Fr.

260 mm working length, autoclavable, 0° direction of view, 85° field of view **41.0667a**

UMP–6 Fr., Inner Sheath

220 mm working length **41.0668a**

UMP–Water Jet Sheath, 11 Fr.

150 mm working length **41.0670a**

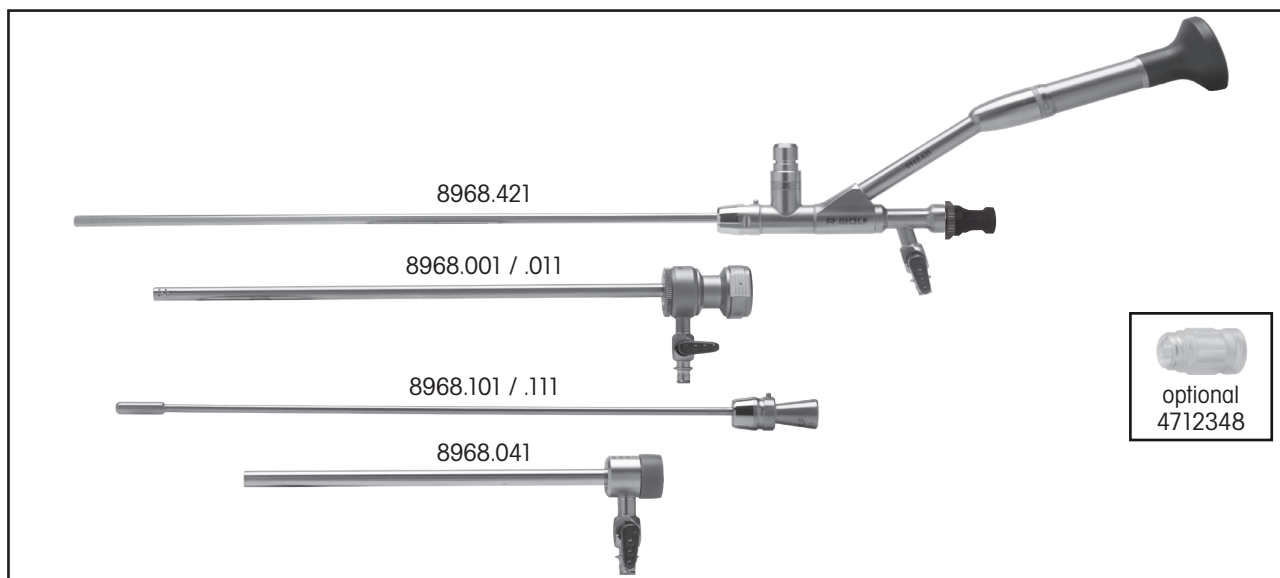
UMP–Obturator for Water Jet Sheath, 11 Fr.

150 mm working length **41.0671a**

NEPHROSCOPES

UMP–7.5 Fr., Inner Sheath	
220 mm working length	41.0669a
UMP–Water Jet Sheath, Standard, 13 Fr.	
150 mm working length	41.0672a
UMP–Obturator for Water Jet Sheath, Standard, 13 Fr.	
150 mm working length	41.0673a
UMP–Water Jet Sheath, Long, 13 Fr.	
180 mm working length	41.0674a
UMP–Obturator for Water Jet Sheath, Long, 13 Fr.	
180 mm working length	41.0675a
UMP–Cleaning Basket	41.0676a
UMP–Cleaning Brush Set	41.0677a
UMP–Sealing Cap for Laser Channel	41.0678a

Miniature nephroscope 15 / 18 Fr. by Lahme



- ❑ For large lower pole caliceal stones as an alternative to ESWL
- ❑ Can be used with Amplatz sheaths as of 13 Fr.
- ❑ Stainless steel special bougies for time-saving "one-step" dilatation
- ❑ Automatic seal between sheath and telescope
- ❑ Fast and safe introduction of accessory instruments thanks to automatic seal on working channel
- ❑ Low pressure PCNL by using Amplatz sheath
- ❑ Simple flush out of stone concretions

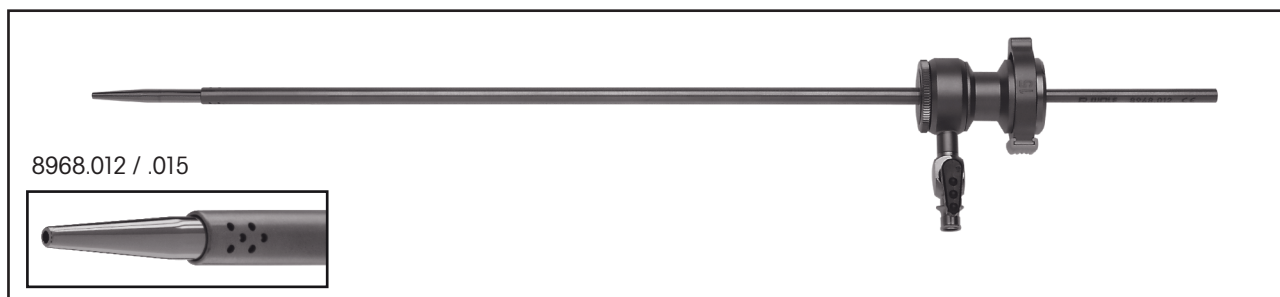
PANOVIEW OP telescope	8968.421
with laterally offset eyepiece, viewing direction 12°, outer Ø 12 Fr., 6 Fr. working channel, automatic valve with sealing membrane, WL 225 mm	
also:	
Sterile universal sealing valve, pack of 5	4712348
Recommended light cable:	
Fiber light cable set	806625301
Ø 2.5 mm, 3.0 m long consisting of:	
Fiber light cable (80662530), adapter projector side (8095.07) and adapter endoscope side (8095.09)	
Sheath , round, WL 205 mm, with swivel irrigation ring, distal tip straight, automatic connector,	
15 Fr.	8968.001
18 Fr.	8968.011
also:	
Obturator , hollow	
for sheath 8968.001	8968.101
for sheath 8968.011	8968.111
Amplatz sheath ,	
18 Fr., WL 150 mm	8968.041

NEPHROSCOPES

Accessory instruments

for miniature nephroscope

15 / 18 Fr. by Lahme



8968.012 / .015

Dilator **8968.012**



12 Fr. for "one-step" dilatation, length 320 mm

Dilator **8968.015**

15 Fr. for "one-step" dilatation, length 320 mm

Note:

Telescope dilators can, of course, also be used. For more detailed information, refer to page 77.

		WL	Ø	Types
	HySafe Grasping forceps with mouse jaws	425 mm	5 Fr.	8959.6212
	Flexible foreign body forceps	365 mm	6 Fr.	8968.671
	Spare stone grasper for 8968.671			8968.675

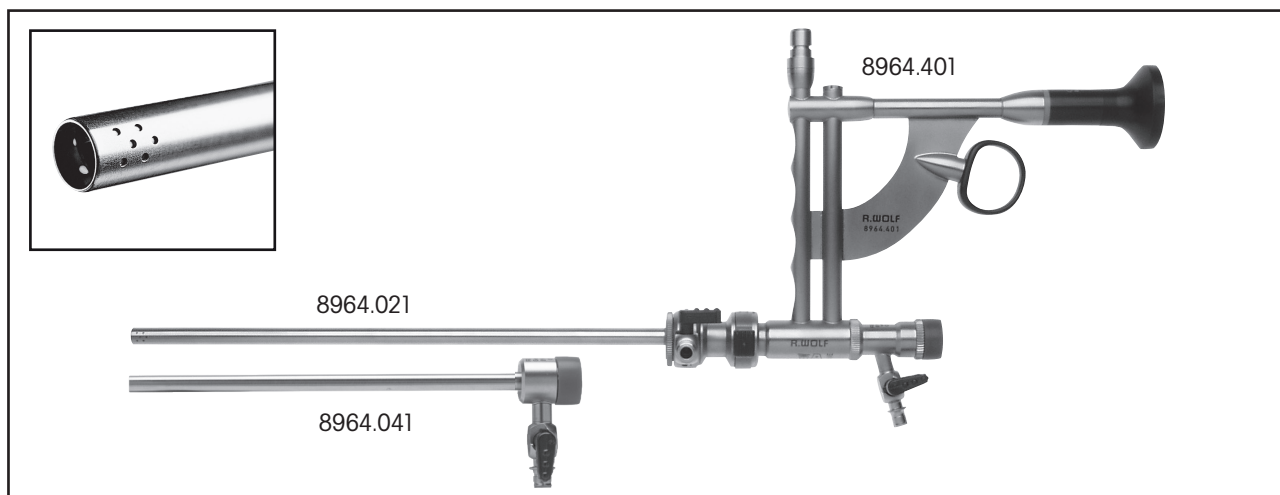
Sterile universal sealing valve **4712348**

Membrane retainer, standard **15256.393**

Membrane retainer with Luer connector **15256.456**

Membrane seal (pack of 10) **89.101**

20.8 Fr. percutaneous universal nephroscope model "Dresden"






- ❑ Extremely small sheath circumference – but the same sturdy construction
- ❑ Large oval working channel, 14 Fr., for accessory instruments up to Ø 3.5 mm such as the standard ultrasound sonotrodes –with effective irrigation
- ❑ PANOVIEW rod lens system – for optimum image quality
- ❑ Ergonomic design and user-friendly automatic valve – for fatigue-free operation and optimum handling

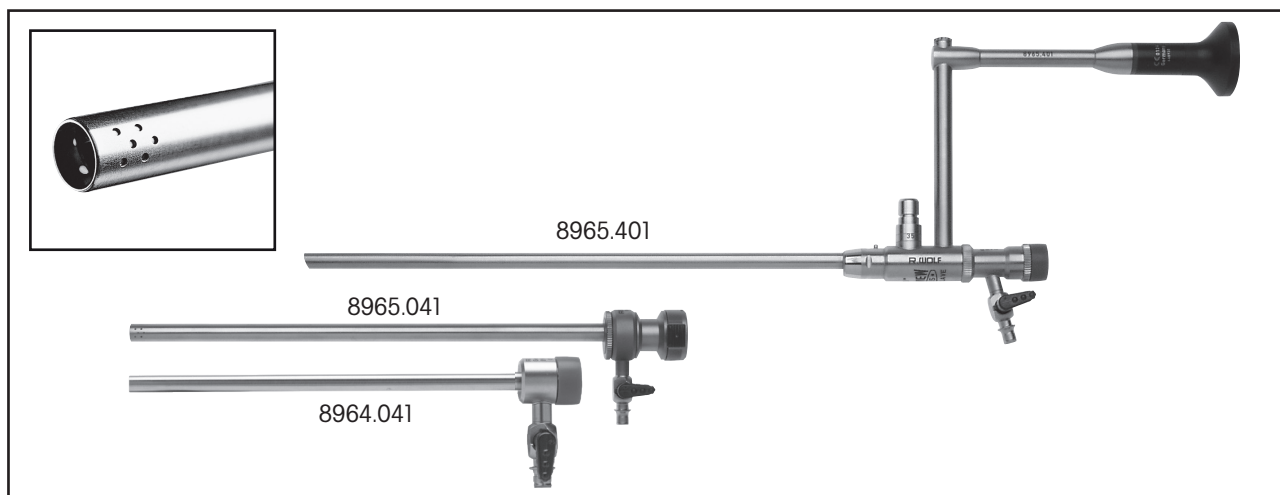
PANOVIEW operating telescope	8964.401
with parallel eyepiece, 12°, capacity 3.5 mm, oval instrument channel, WL 224 mm (8964.401), automatic valve (8964.711) with sealing membrane (pack of 5, 89.102), sealing cap blue (89.02), recommended light cable:	
Fiber light cable set , Ø 3.5 mm, 3.0 m long	806635301
consisting of: Fiber light cable (80663523), adapter projector-side (8095.07) and adapter endoscope-side (809509)	
Sheath, 20.8 Fr.	8964.021
round, with swivel irrigation connector, distal tip straight, automatic locking mechanism, WL 204 mm also:	
Obturator , hollow	8964.121
alternative:	
Sheath, 24 Fr.	8965.041
round, with swivel irrigation connector, distal tip straight, automatic locking mechanism, WL 204 mm	
Obturator , hollow	8965.141
Amplatz sheath, 24.3 Fr. , WL 150 mm	8964.041
Sealing membrane retainer	15176.100

Accessory Instruments

for 20.8 Fr. percutaneous universal nephroscope
model "Dresden"

		WL	Ø	Types
	HySafe Stone grasping forceps	355 mm	9 Fr.	8962.6022
	Stone grasper, 3-pronged	350 mm	3.5 mm	8964.671
	Spare stone grasper, 3-pronged			8964.675
	HySafe Grasping forceps with alligator jaws	350 mm	10.5 Fr.	8962.6102

24 Fr. percutaneous universal nephroscopes



- ❑ Large oval working channel for accessory instruments up to 3.5 mm diameter while maintaining efficient irrigation
- ❑ PANOVIEW rod lens system - for optimum image quality
- ❑ User-friendly with continuous-irrigation option, swivel irrigation ring on the sheath and automatic valve
- ❑ Extended working length – suitable for obese patients

PANOVIEW operating telescope **8965.401**
 with parallel eyepiece, viewing direction 20°, capacity 3.5 mm, oval instrument channel,
 WL 224 mm (8965.401), automatic valve (8964.711) with sealing membrane (pack of 5, 89.102),
 sealing cap blue (89.02)

PANOVIEW operating telescope **8965.411**
 with oblique eyepiece, viewing direction 20°, capacity 3.5 mm, oval instrument channel,
 WL 224 mm (8965.411), automatic valve (8964.711) with sealing membrane (pack of 5, 89.102),
 sealing cap blue (89.02)

recommended light cable:

Fiber light cable set, Ø 3.5 mm, 3.0 m long **806635301**
 consisting of:
 Fiber light cable (80662530), adapter projector side (8095.07) and adapter endoscope side (809509)

Sheath, 24 Fr.

round, with swivel irrigation connector, distal tip straight, automatic locking mechanism, WL 204 mm **8965.041**

Obturator, hollow **8965.141**

Amplatz sheath, 24.3 Fr., WL 150 mm **8964.041**

Sealing membrane retainer **15176.100**

Option for optical percutaneous ureterotomy:




Working insert, for stricture scalpels **8667.911**

PANOVIEW telescope, 0°, Ø 4 mm **8650.414**

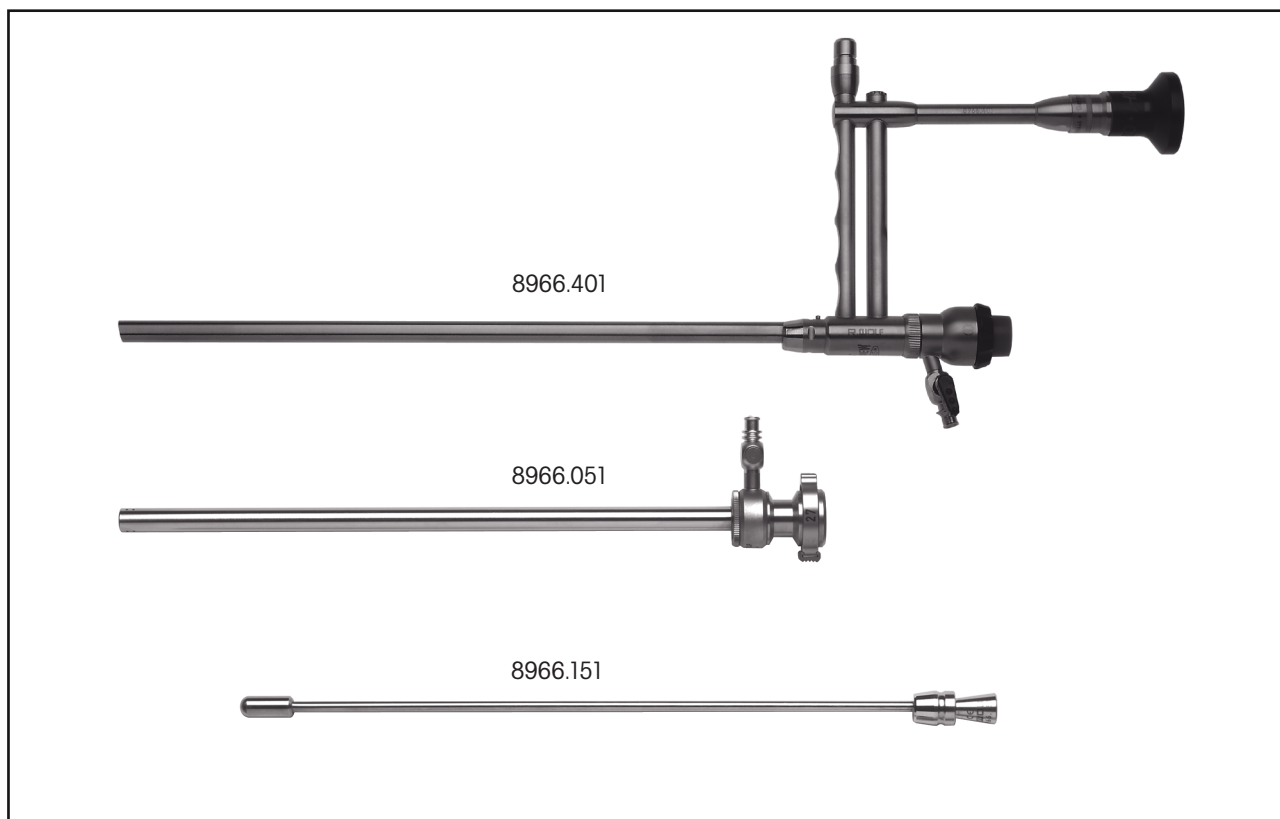
Stricture scalpel with ceramic blade, lancet blade **8667.981**

NEPHROSCOPES

Accessory instruments for 24 Fr. percutaneous universal nephroscopes

		WL	Ø	Types
	HySafe Stone grasping forceps	355 mm	9 Fr.	8962.6022
	Stone grasper, 3-pronged	350 mm	3.5 mm	8964.671
	Spare stone grasper, 3-pronged			8964.675
	HySafe Grasping forceps with alligator jaws	350 mm	10.5 Fr.	8962.6102

27 Fr. Extra long percutaneous universal nephroscope



PANOVIEW operating telescope set, 12° **8966.4011**

also suitable for obese patients, with parallel eyepiece, with oval working channel for accessory instruments up to 4 mm diameter, WL 250 mm

consisting of:

PANOVIEW operating telescope (8966.401), automatic valve with sealing membrane (10 pieces / 89.103), sealing cap, blue (89.02) and sealing lid (15176.106)

recommended light cable:

Fiber light cable set, Ø 3.5 mm, 3.0 m long **806635301**

consisting of:




Fiber light cable (80663523), adapter projector-side (8095.07) and adapter endoscope-side (809509)

Operating sheath **8966.051**

round, with swivel irrigation connector, distal tip straight, automatic locking mechanism, 27 Fr., WL 230 mm

Obturator, hollow **8966.151**

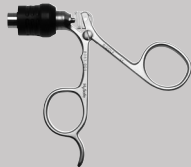
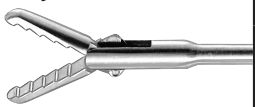


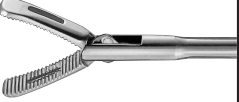

27 Fr. Extra long accessory instruments
for percutaneous universal nephroscope
long version for obese patients

		WL	Ø	Types
	HySafe Stone grasping forceps	355 mm	9 Fr.	8962.6022
	Stone grasper, 3-pronged	350 mm	3.5 mm	8964.671
	Spare stone grasper, 3-pronged			8964.675
	HySafe Grasping forceps with alligator jaws	350 mm	10.5 Fr.	8962.6102

Rigid accessory instruments

forceps and scissors, micro modular system **HySafe**

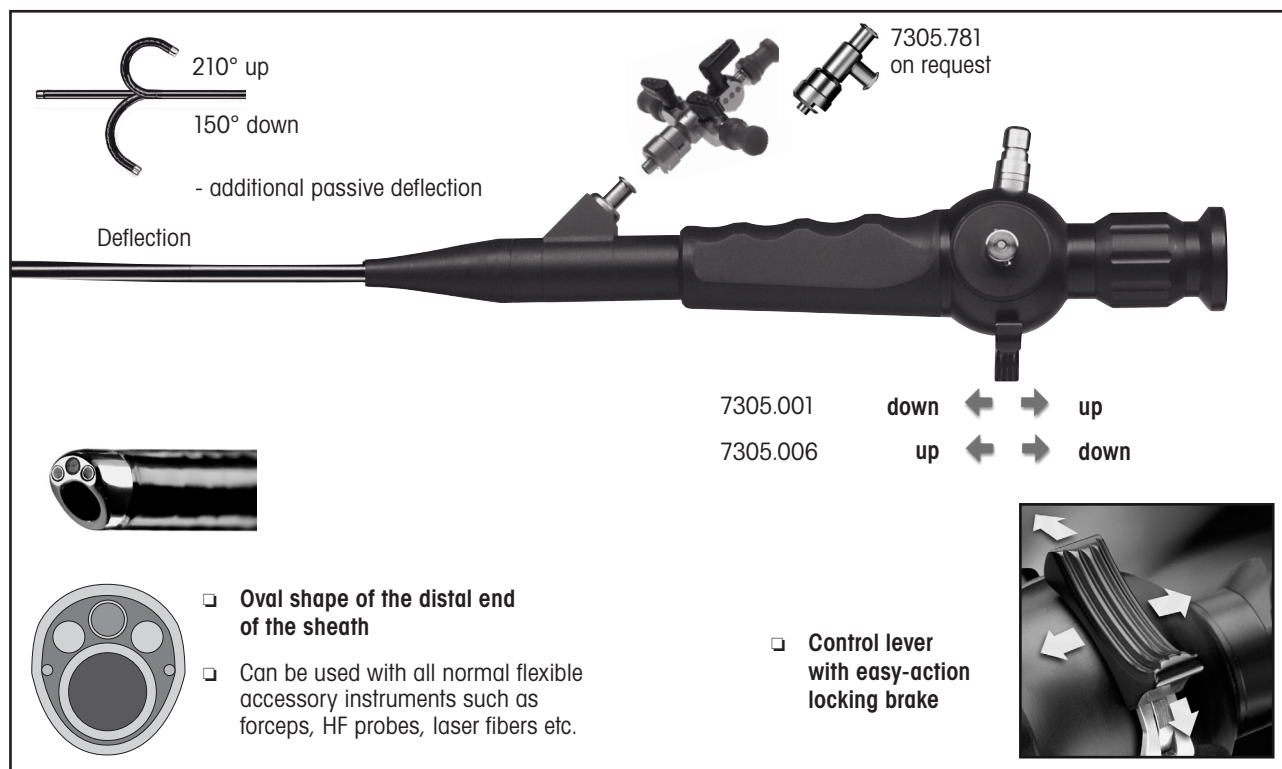
360° rotatable, flushable, easy click

Insert with sheath					 Handle with overload protection	Complete Instrument • Insert with sheath • Handle Types
	Recommended fields of application	Types	Fr.	WL		
Stone grasping forceps with alligator jaws 	Nephroscopy	8962.6008	10.5	350	8083.001	8962.6002
		8962.6048	12	340		8962.6042
Stone grasping forceps angled distal tip, with alligator jaws 		8962.6028	9	355		8962.6022
Grasping forceps with alligator jaws 		8962.6108	10.5	350		8962.6102
Stone grasping forceps with finely serrated jaws, peanut shape 		8962.6078	12	340		8962.6072
Stone grasping forceps 		8962.6058	12	340		8962.6052

NEPHROSCOPES

Flexible fiber-urethro-cystoscope

5 mm / 15 Fr.
Channel 2.5 mm / 7.5 Fr.



- Safe and atraumatic passage through the urethra is provided by the oblique distal tip
- Reduced weight and ergonomic design for optimal handling and less strain on the operator
- 0° viewing direction, 120° angle of view

Flexible Fiber Urethro-Cystoscope Set	included in set Fiber-urethro- cystoscope	Outer diameter	Instrument channel	Working length	Set
consisting of: Fiber-urethro-cystoscope, instrument port (7305.782), leak tester (163.903), gas sterilization valve (163.904), disposable cleaning brush (7990002), case	7305.001	5 mm 15 Fr.	2.5 mm 7.5 Fr.	400 mm	Forward movement of the control lever provides downward movement of the tip 730500111
	7305.006				Forward movement of the control lever provides upward movement of the tip 730500611

Accessories:






Fiber light cable set, Ø 2.5 mm, 3.0 m long **806625301**

Consisting of:

Fiber light cable (80662530), adapter projector side (8095.07) and adapter endoscope side (809509)

Accessory instruments see next page.

Accessory instruments for flexible fiber nephroscope

		Outer - Ø	WL	Types
Biopsy forceps Extra long jaws to obtain a larger specimen		1.6 mm 5 Fr.	550 mm	829.051
Mouse-tooth grasping forceps , Safe and effective grasping with mouse-tooth geometry		1.6 mm / 5 Fr.	550 mm	8735.685
		2.0 mm / 6.5 Fr.	550 mm	8736.685
Attachment with 2 Luer connectors, quick-lock mechanism				7305.781
Luer sealing cap				15023205
Sterile universal sealing valve (pack of 5) for inserting accessory instruments of 1 – 6 Fr.				4712348

UreTron



UreTron Full System Single Footswitch Bundle URT-F-US-SINGLE

Includes:

UreTron generator.....	URT-G-US
UreTron footswitch single connector	URT-FS
UreTron rigid hand piece x2	URT-TR
UreTron wrench.....	URT-W
UreTron cleaning rod.....	URT-CR
UreTron power cord.....	URT-PC-US

UreTron Full System Dual Footswitch Bundle URT-F-US

Includes:

UreTron generator.....	URT-G-US
UreTron footswitch dual connector	URT-FS-D
UreTron rigid hand piece x2	URT-TR
UreTron wrench.....	URT-W
UreTron cleaning rod.....	URT-CR
UreTron power cord.....	URT-PC-US

LITHOTRIPSY

Disposables and accessories next page.

UreTron disposables and accessories

Disposables

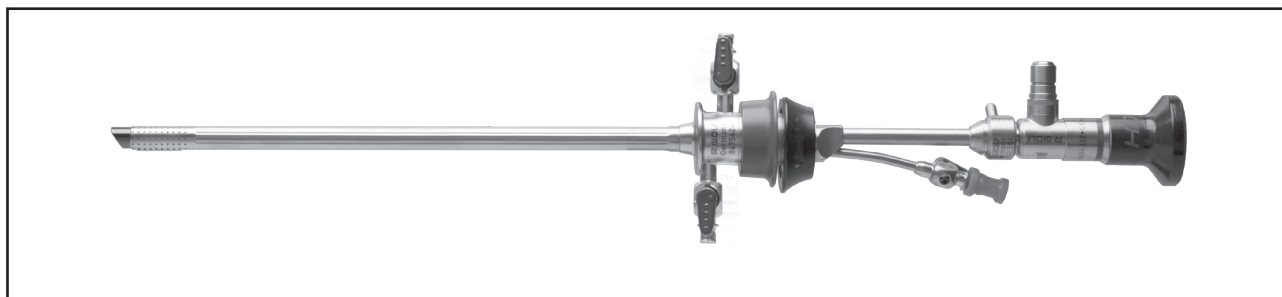
UreTron rigid sterile probe 3.5 x 370 mm	URT-PR-3.5-370S
UreTron rigid sterile probe 3.1 x 370 mm.....	URT-PR-3.1-370S
UreTron semi-rigid sterile probe 1.9 x 370 mm.....	URT-PS-1.9-370S
UreTron semi-rigid sterile probe 1.5 x 370 mm.....	URT-PS-1.5-370S
UreTron semi-rigid sterile probe 1.5 x 570 mm.....	URT-PS-1.5-570S

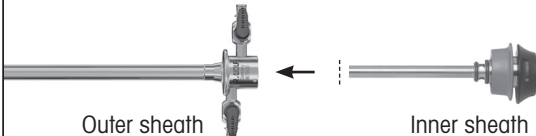





Accessories


UreTron suction pinch valve.....	URT-SPV
Non-sterile tubing and specimen bottle	URT-SPV-Tubing
20.8/24 Fr. UreTron rigid scope connector	URT-CK-RW
27 Fr. UreTron rigid scope connector	URT-CK-RW-1
15/18 Fr. UreTron semi-rigid scope connector.....	URT-CK-SW
UreTron footswitch dual connector.....	URT-FS-D
UreTron footswitch single connector.....	URT-FS
UreTron flex hand piece.....	URT-TF
UreTron rigid hand piece	URT-TR
UreTron wrench.....	URT-W
UreTron cleaning rod	URT-CR
UreTron power cord	URT-PC-US




GreenLight™ continuous irrigation laser resectoscope side fire lasers



Fr. Color code	Distal tip	Continuous irrigation sheaths, inner sheath with distal ceramic tip	Obturator	Viewing obturator	Dilation obturator
Sheaths		 <p>Outer sheath Inner sheath</p>			
24.5 Fr. green		8675424 8675322	8673022	8673122	-
26 Fr. yellow		8675426 8675324	8673024	8673124	8673224

Working insert for a free control move of the laser fiber without stop. Provides special stabilization of the fiber tip during GreenLight vaporization and others.	Type
 <p>Working insert for flexible accessory instruments up to 6.5 Fr.</p>	8632.284
also: Rubber cap , extended, dark orange (pack of 1)	18.01

Ø	Viewing direction	Types	PANOVIEW telescopes
4 mm	30°	8654.422	
	12°	8654.431	



Accessories:

Fiber light cable set, Ø 2.5 mm, 3.0 m long **806625301**

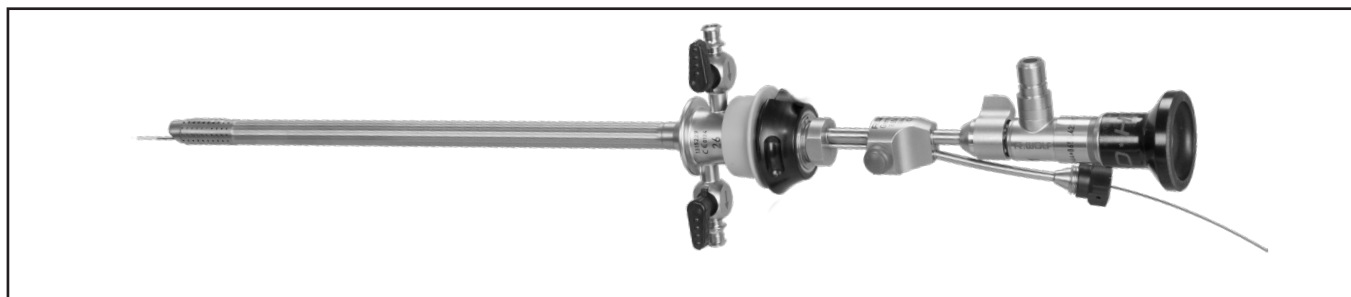
consisting of:

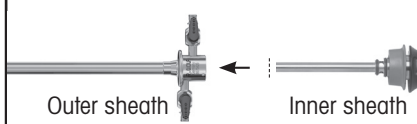




Fiber light cable (80662530), adapter projector-side (8095.07) and adapter endoscope-side (809509)










LASER THERAPY

Shark meets **Piranha**

HoLEP, ThuLEP Continuous Irrigation Laser Enucleation Sheath




Color code	Sheath	Distal tip	Continuous irrigation sheaths, inner sheath with distal ceramic tip	Standard Obturator	Viewing obturator	Timberlake obturator	Dilation obturator
			 Outer sheath Inner sheath				
green	Rotating	Ceramic	8675424 24 Fr. 8675322 22 Fr.	8673022	8673122	-	-
	Non-rotating		86754245 24 Fr. 86753225 22 Fr.				
yellow	Rotating	Ceramic	8675426 26 Fr. 8675324 24 Fr.	8673024	8673124	8654.67	8673224
	Non-rotating		86754265 26 Fr. 86753245 24 Fr.				
yellow	Rotating	Stainless Steel	8675426 26 Fr. 8675524 24 Fr.	8673324	-	-	-

Laser working bridges		Product no.
Laser working insert 12/30°		8654383
Laser working element, passive 12/30° with closed handle		8654382
Accessories: Laser fiber sealing components for 8654383 & 8654382	 Seal, Blue  Clamping Sleeve, Black	15176.173 150441178
Working insert for flexible accessory instruments up to 7.5 Fr. can only be used with 24/26 Fr. sheaths		8654.911
Working insert "MoXy™" for flexible accessory instruments up to 6.5 Fr.		8632.284
Working insert "Freestyle" for flexible accessory instruments up to 6.5 Fr.		8632.914
Rubber cap capacity 0.8 mm (pack of 10)		88.01
Rubber cap extended, dark orange (pack of 1) Recommended for 8632.284 & 8632.914 laser working inserts		18.01

LASER THERAPY



HoLEP, ThuLEP Continuous Irrigation Laser Enucleation Sheath

Ø	Viewing direction	WL	TL	Product no.	PANOVIEW telescopes
4 mm	30°	300 mm	364 mm	8654.422	
	12°	297 mm	363 mm	8654.431	



Accessories:



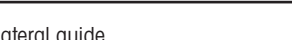


Fiber light cable set, Ø 2.5 mm, 3.0 m long **806625301**

consisting of:

Fiber light cable (80662530), adapter projector-side (8095.07) and adapter endoscope-side (809509)

Laser Guide Tubes

For use with 8654383 and 8654382 laser working bridges

Laser fiber guide tubes		Fr.	Capacity	Product No.
 with lateral guide, distal end straight	Guide tube laser therapy 1,000 µm 22 Fr.	22 Fr.	1,000 µm	8654990
	Guide tube laser therapy 1,000 µm 24 Fr.	24 Fr.		8654991
 with lateral guide, distal end straight	Guide tube laser therapy 600 µm 22 Fr.	22 Fr.	600 µm	8654992
	Guide tube laser therapy 600 µm 24 Fr.	24 Fr.		8654993
 with lateral guide, distal end slanted	Guide tube laser therapy 600 µm 22 Fr.	22 Fr.	600 µm	8654994
	Guide tube laser therapy 600 µm 24 Fr.	24 Fr.		8654995
 with lateral guide, distal end with ring	Guide tube laser therapy 600 µm 22 Fr.	22 Fr.	600 µm	8654996
	Guide tube laser therapy 600 µm 24 Fr.	24 Fr.		8654997
 Curette 22–24 Fr. for prostate chips		22-24 Fr.	600 µm	8654998

Shark meets **Piranha**

PIRANHA Scope

for morcellation after laser enucleation of the prostate



PIRANHA Morcscope, 0 , WL 199mm Bundle 89704075

Consisting of:

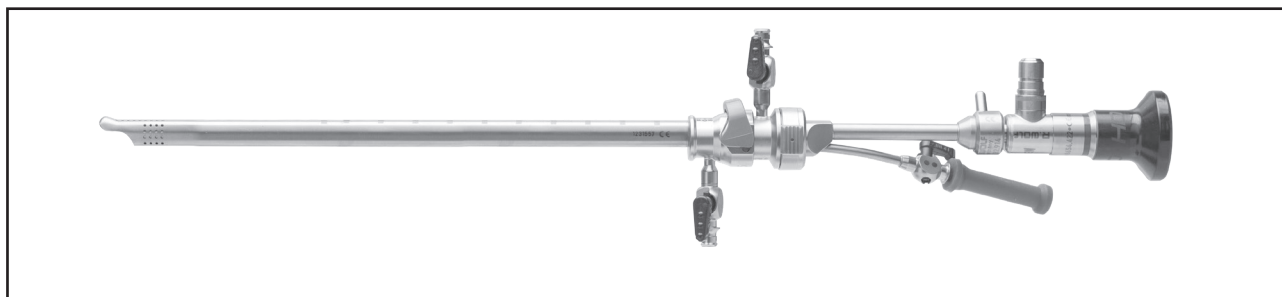
morcscope 0 , 24 Fr., WL 199mm, capacity 5.1 mm, 2 irrigation channels, for auxiliary instruments up to Ø 4.8 mm (8970407), Cleaning Brush Ø 7 mm TL 400 mm (7970407), Cleaning Brush Ø 9 mm TL 400 mm (7970409), Cleaning Brush Ø 11 mm TL 400 mm (7970411), Double Conical Straight Cleaning Brush (7980002), Cleaning Brush Ø 5 mm WL 42 mm (40999012), Luer Lock Connector (886.00), Automatic Valve ID 5.7 mm (8920.311)

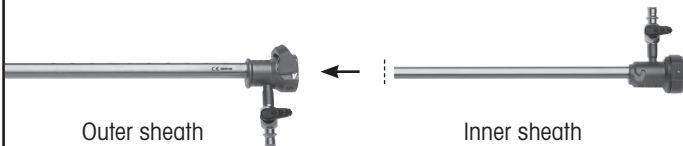



Optional Accessories:


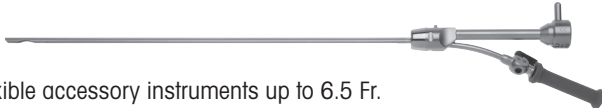
Scope O-ring (clear, single piece).....**15364.267**
 Bellows Pump (single piece, for blowing air through channels).....**103.00**
 Sealing Membrane (yellow, pack of 10).....**89.103**



GreenLight™ continuous irrigation laser cystoscope

especially for the use with side fire laser fibers



Fr. Color code	Distal tip	Continuous irrigation sheaths	Obturator	Viewing obturator
Sheaths		 <p>Outer sheath Inner sheath</p>		
22.5 Fr. green		8632.026 8632.027	8632.126	8632.726

Working insert for a free control move of the laser fiber without stop	Type
  <p>Working insert for flexible accessory instruments up to 6.5 Fr.</p>	8632.914

Ø	Viewing direction	Types	PANOVIEW telescopes
4 mm	30°	8654.422	 
	12°	8654.431	

Accessories:

Biopsy Forceps, 5 Fr. **829.05**

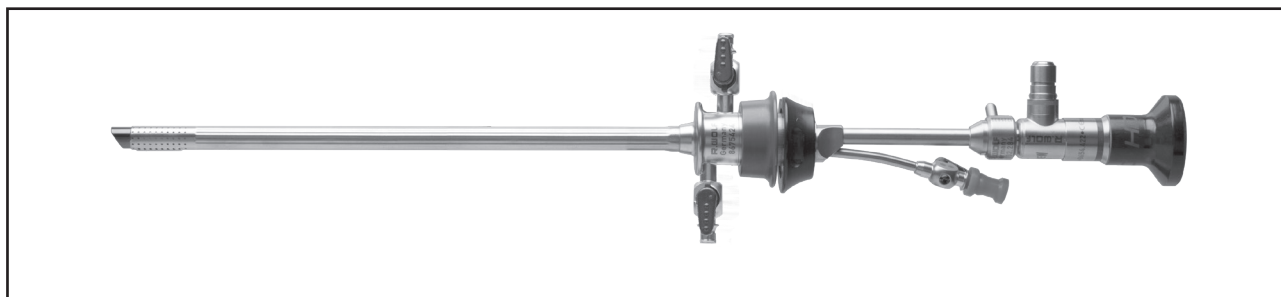
Fiber light cable set, Ø 2.5 mm, 3.0 m long **806625301**

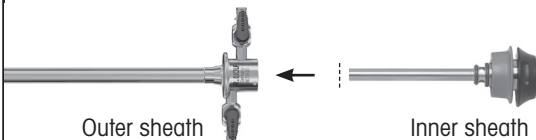





consisting of:


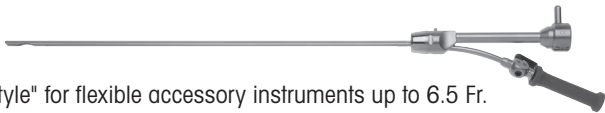
Fiber light cable (80662530), adapter projector-side (8095.07) and adapter endoscope-side (809509)





**GreenLight™ continuous irrigation
laser resectoscope**
especially for the use with side fire laser fibers



Fr. Color code	Distal tip	Continuous irrigation sheaths, inner sheath with distal ceramic tip	Obturator	Viewing obturator	Dilation obturator
Sheaths		 <p>Outer sheath Inner sheath</p>			
24 Fr. green		8675424 8675322	8673022	8673122	-
26 Fr. yellow		8675426 8675324	8673024	8673124	8673224

Working insert for a free control move of the laser fiber without stop	Type
  <p>Working insert "Freestyle" for flexible accessory instruments up to 6.5 Fr.</p>	8632.914

Ø	Viewing direction	Types	PANOVIEW telescopes
4 mm	30°	8654.422	 
	12°	8654.431	

Accessories:

Biopsy Forceps, 5 Fr. **829.05**

Fiber light cable set, Ø 2.5 mm, 3.0 m long **806625301**

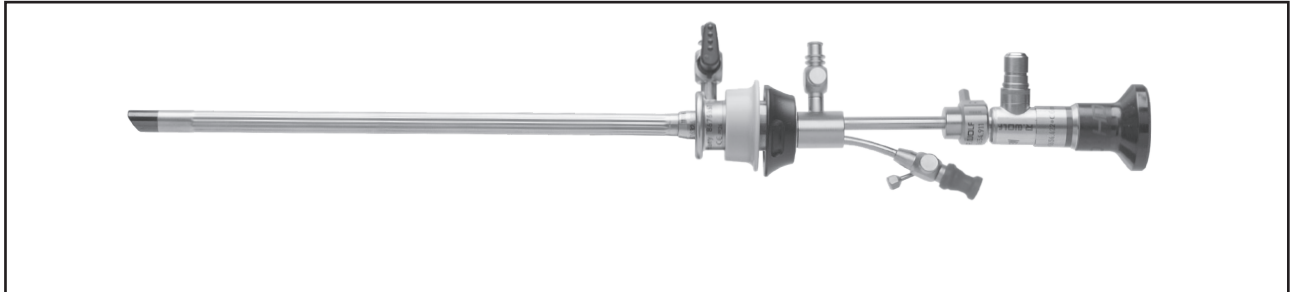
consisting of:









Fiber light cable (80662530), adapter projector-side (8095.07) and adapter endoscope-side (809509)


LASER THERAPY




Continuous irrigation working laser insert for laser probes up to 7.5 Fr.



Fr. Color code	Distal tip	Continuous irrigation sheaths, inner sheath with distal ceramic tip			Obturator	Viewing obturator	Dilation obturator
Sheaths		Resectoscope sheath	Rotatable irrigation adapter				
			 with 4 mm luer connector	 with 3 mm luer connector with stopcock			
24 Fr. yellow		8676324	8676354	8676361	8673024	8673124	8673224

Working insert for continuous-irrigation with port for flexible accessory instruments up to 7.5 Fr.	Type
 Working insert for continuous irrigation	8654.911

Ø	Viewing direction	Types	PANOVIEW telescopes
4 mm	30°	8654.422	
	12°	8654.431	



Accessories:

Fiber light cable set, Ø 2.5 mm, 3.0 m long **806625301**

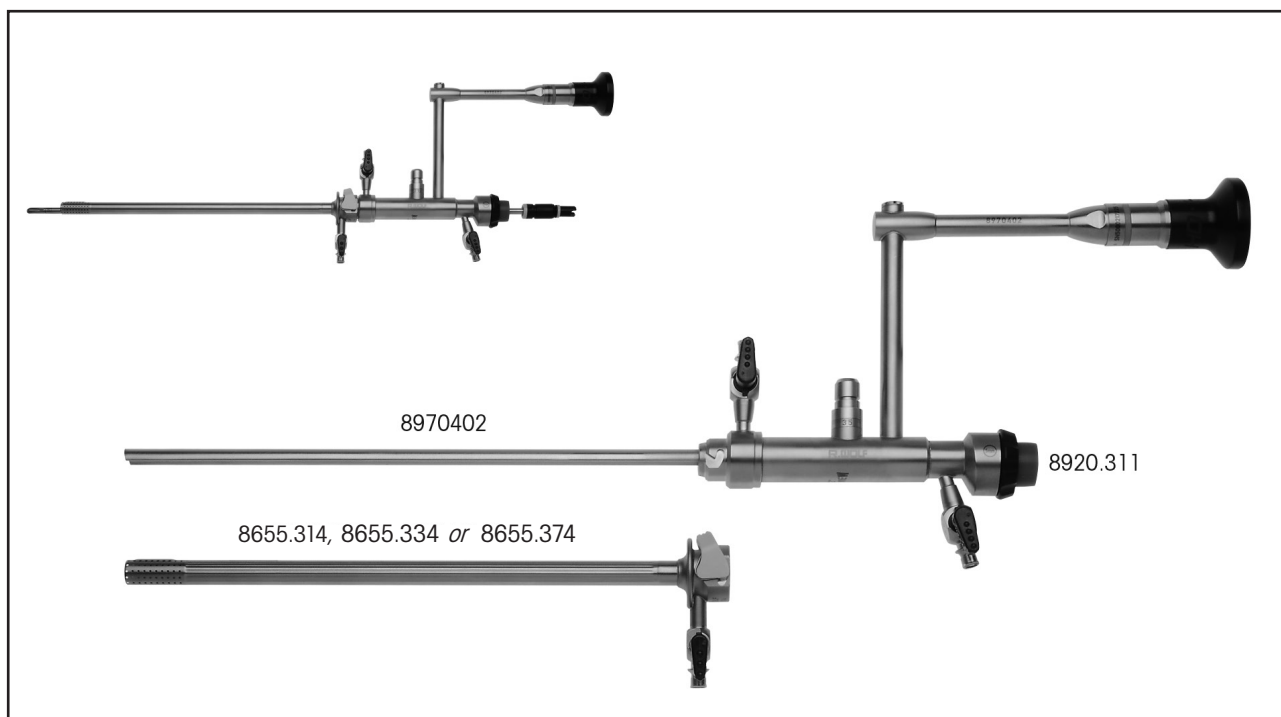
consisting of:

Fiber light cable (80662530), adapter projector-side (8095.07) and adapter endoscope-side (809509)

LASER THERAPY

PIRANHA Scope

for morcellation after laser enucleation of the prostate



- Excellent viewing conditions thanks to integrated irrigation channels
- Reduce overall operating time
- Reduce the overall costs of Laser TUR-P procedures

PANOVIEW operating telescope set "PIRANHA Scope"

consisting of:

PANOVIEW operating telescope "PIRANHA Scope", direction of view 12° with parallel eyepiece, capacity 5 mm for auxiliary instruments up to diameter 4.8 mm (8970402), autom. Valve (8920.311), luer lock connector (886.00),

Cleaning brush (7970711)..... **89704026**


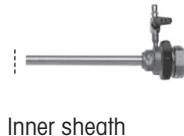




Optional Accessories:


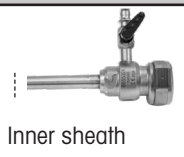


Yellow Scope O-ring collar (pack of 10)..... **9500118**

Irrigation Adapter (single piece)..... **15461.039**

Bellows Pump (single piece, for blowing air through channels)..... **103.00**

Sealing Membrane (yellow, pack of 10)..... **89.103**

Color Code	Distal Tip	Continuous irrigation sheaths, inner sheath with distal ceramic tip		Obturator	Viewing Obturator
Sheaths					 for insertion of the sheath under vision
24.5 Fr./green		8655.334	8655.344 (22 Fr.)	8654.16	8415.11
26 Fr./yellow		8655.374	8655.384 (24 Fr.)	8654.17	8415.12

Color Code	Distal Tip	Continuous irrigation sheaths, inner sheath with distal stainless steel tip		Obturator
Sheaths				
24.5 Fr./green		8655314	8655324 (22 Fr.)	865415


also:

option of continuous-irrigation for use of the

Continuous irrigation outer sheath, 24.5 Fr.	8655.334
Continuous irrigation outer sheath, 26 Fr.	8655.374
Outer Sheath Laser Therapy, 24.5 Fr.	8655314
Inner Sheath Laser Therapy, 22 Fr. (stainless steel tip)	8655324
Obturator Resectoscope, 22 Fr.	865415
Laser working insert 12/30°, 7.5 Fr.....	8654.911
Laser working element.....	8654.282
Guide Tubes:	
Guide tube for laser fiber 1000 µm	8654.981
Guide tube for laser fiber 600 µm	8654.982
Guide tube for laser fiber with beveled tip.....	8654.985
Guide tube for laser fiber with distal loop.....	8654.986
Universal sterilization tray	8585.071
Handpiece and cord sterilization tray	8585.101
Deep Universal Reprocessing Tray	8585.025

LASER THERAPY

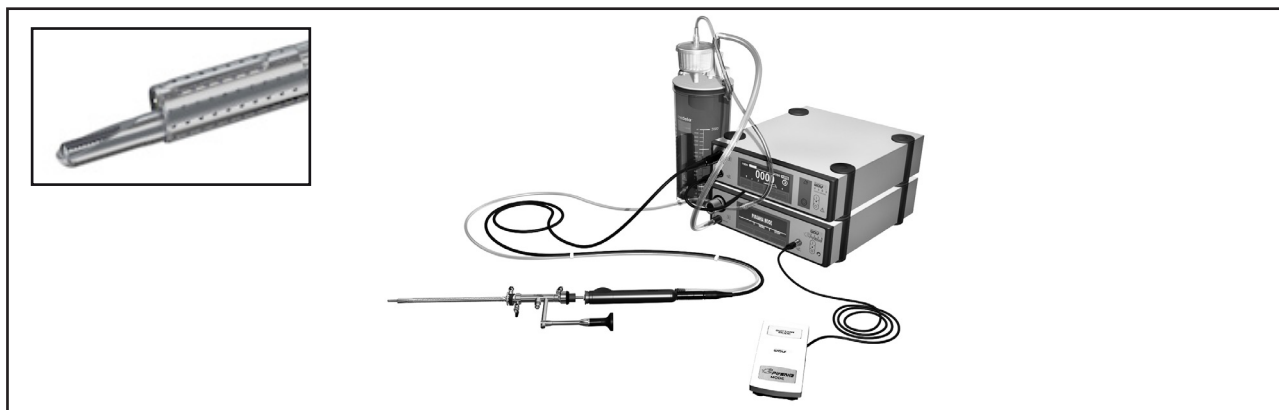
Rotation morcellators for "MORCE" scope

		Outer ø	WL	Types
	Morcellator blade Wolf, single use, (pack of 3) packed singly, sterile	4.8 mm	335 mm	49700213
	Morcellator blade long, single use, (pack of 3) packed singly, sterile for morcellator telescopes of other manufacturer		385 mm	49700203



Tissue morcellator

for morcellation after laser enucleation
of the prostate



- ❑ Enucleation and morcellation without sheath change
- ❑ Reduce operating time and costs
- ❑ High cutting speed due to oscillating cutting action
- ❑ No "Ping-Pong" effect
- ❑ Intuitive operation of the instruments and devices

"PIRANHA" suction pump set **22080116**

Suction pump for continuous aspiration of irrigation fluid and enucleated tissue
comprising:

"PIRANHA" Suction Pump, microprocessor controlled high-performance suction pump with LCD display,
100 - 240 V a.c., 50 / 60 Hz includes 643211637 connecting cable (2208011), foot switch (2030108), bottle holder
(64031.381), sound absorber (pack of 10 / 35100115), vacuum tube (8170.6554), bacteria filter (pack of 10 /
2228.901), 2L secretion container & lid (8170.6551 & 8170.6552), power cable (N710171)

Disposable tube set (pack of 10) **41702208**

Disposable tissue collecting container (pack of 10) **2208120**

3L suction canister bundle includes canister (077.0130) and lid (077.0420) **81709835**

Power Control generator bundle for motor handle, 50/60 Hz, 100-240 V a.c. **23030111**

Power Control generator (2303.001) and power cable (N710171)

Power Stick M 4-handle bundle..... **8564122**

motorized handle (8564.021), with connecting cable (8564.851), sealing-bushing - open (15178145), max. 6000 rpm

Morcellator blade Wolf, single use, Ø 4.8 mm, WL 335 mm, (pack of 3), packed singly, sterile **49700213**

consisting of: Outer and inner blade

Morcellator blade long for morcellator telescopes of other manufacturer **49700203**

single use, Ø 4.8 mm, WL 385 mm, (pack of 3), packed singly, sterile

consisting of: Outer and inner blade

PIRANHA Morcellation & Suction Set Bundle.....**23032056**

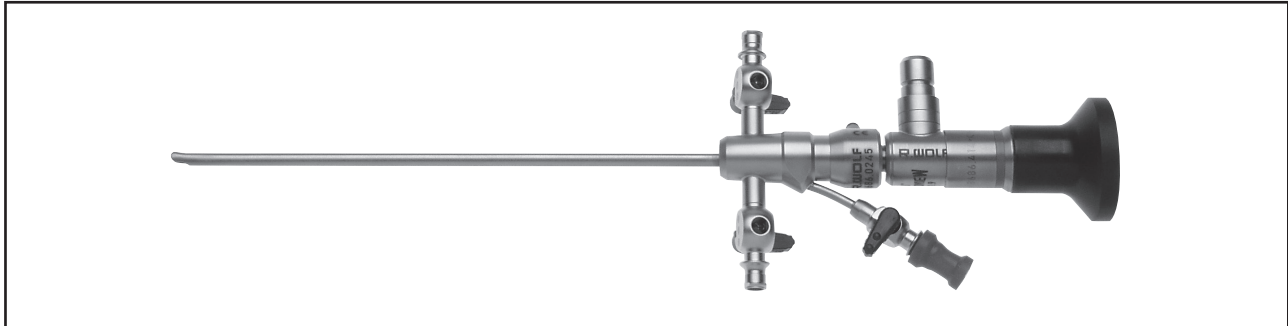
PIRANHA suction pump, power control generator, power stick, and morcescope bundles


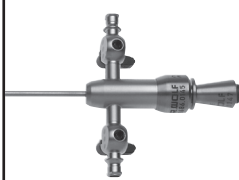

E-line



Cysto-urethroscope 8686

for telescope 1.9 mm

SMALL CALIBER



Sheaths with obturator					
					
	Fr.	Color code	Capacity (Fr.)	only for examination	1 Instrument port
8686.0141	7.5	blue	-	• for use with 0° telescope only	
8686.0241	8.5	red	3		•
8686.0341	9.5	yellow	4		•

Ø	Viewing direction	Types	PANOVIEW telescopes
1.9 mm	0°	8686.414	 
	25°	8686.415	

Accessories:

Fiber light cable set, Ø 2.5 mm, 3.0 m long **806625301**

Consisting of:

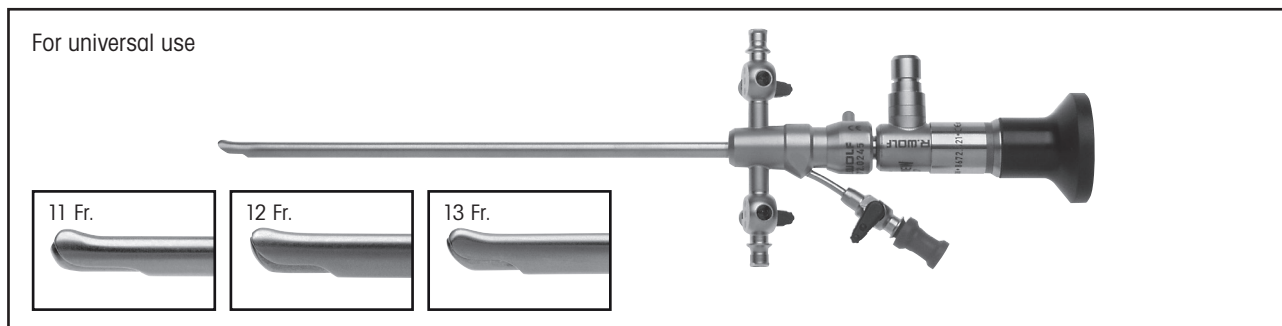
Fiber light cable (80662530), adapter projector side (8095.07) and adapter endoscope side (809509)





E-line


Cysto-urethroscope 8672

for telescope 2.7 mm

SMALL CALIBER



Sheaths with obturators						
						
	Fr.	Color code	Capacity (Fr.)	only for examination	1 Instrument port	2 Instrument ports
8672.0141	11	red	-	•		
8672.0241	12	green	1 x 4		•	
8672.0341	13	blue	1 x 5 or 2 x 4			•

Ø	Viewing direction	Types	PANOVIEW telescopes
2.7 mm	0°	8672.421	
	30°	8672.422	
	70°	8672.425	



Accessories:

Fiber light cable set, Ø 2.5 mm, 3.0 m long **806625301**

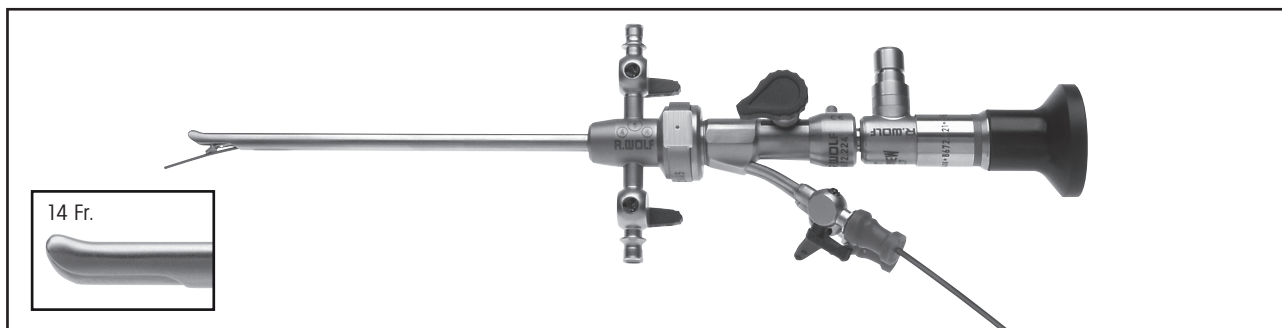
Consisting of:


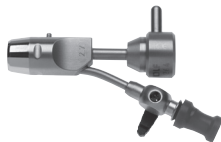

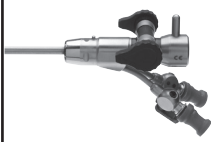
Fiber light cable (80662530), adapter projector side (8095.07) and adapter endoscope side (809509)


E-line

Cysto-urethroscope 8672
for telescope 2.7 mm

SMALL CALIBER



Sheaths with obturators				Adapter	Insert with Albarran deflector	
						
	Fr.	Color code	Capacity (Fr.)	1 Instrument port	1 Instrument port	2 Instrument ports
8672.0441	14	white	5	8672.264 for urethroscopy	8672.214 for cystoscopy	
			2x4			8672.224 for cystoscopy

Ø	Viewing direction	Types	PANOVIEW telescopes
2.7 mm	0°	8672.421	 HD High Definition
	30°	8672.422	
	70°	8672.425	

Accessories:

Fiber light cable set, Ø 2.5 mm, 3.0 m long **806625301**

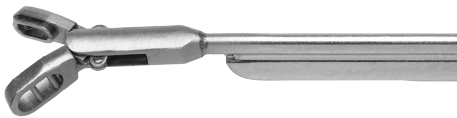

Consisting of:

Fiber light cable (80662530), adapter projector side (8095.07) and adapter endoscope side (809509)

Optical forceps *E-line*
for cysto-urethroscope 8672

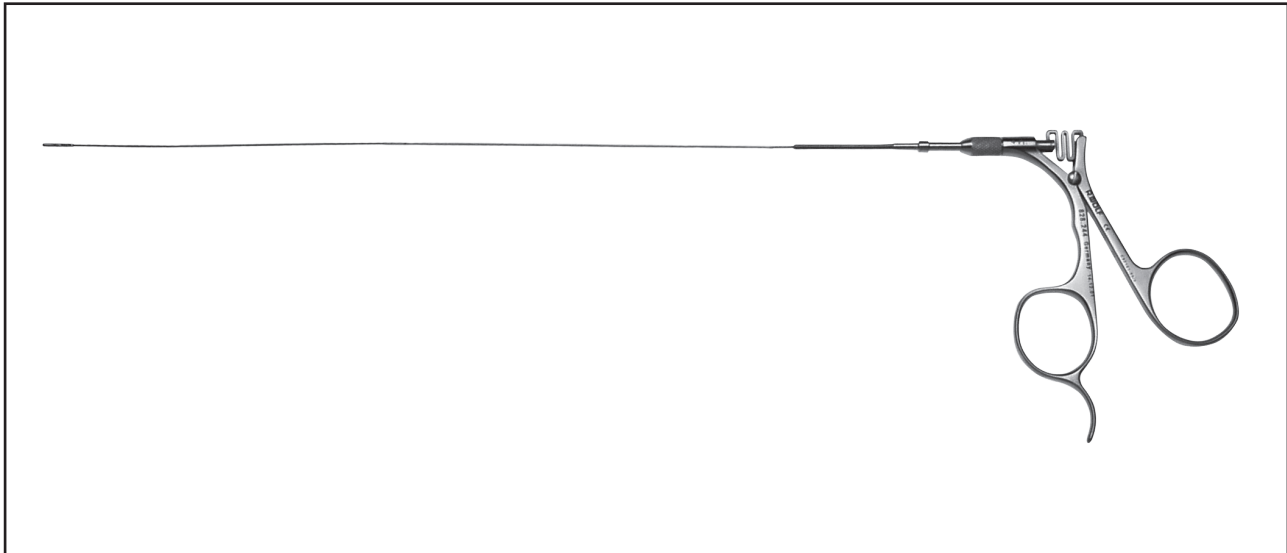
SMALL CALIBER




	for sheath	Types
<p>Biopsy forceps</p> 	14 Fr.	8672.604
<p>Foreign body forceps</p> 	14 Fr.	8672.654

Flexible grasping forceps *E-line*
for cysto-urethrosopes 8672 and 8680

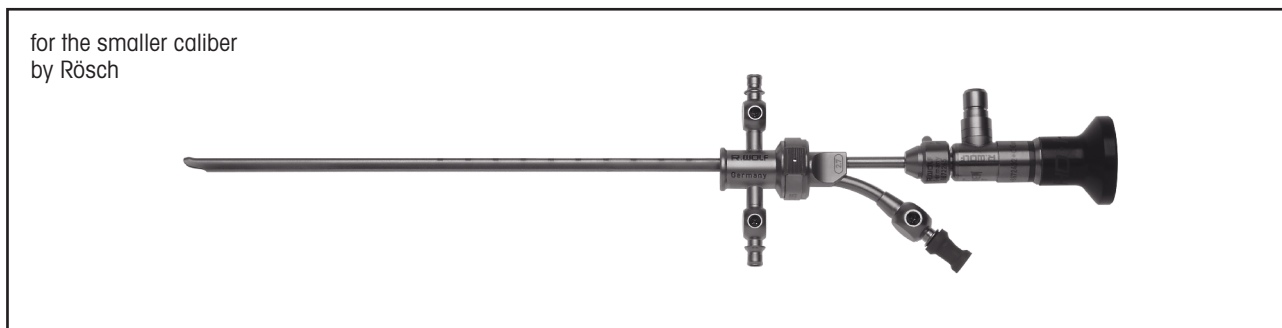
SMALL CALIBER







	Fr.	WL	Type
<p>Flexible grasping forceps with overload protection</p> 	4	230 mm	828.244

MIDI-size

Cysto urethroscope



Cysto-Urethroscope Sheath						Adapters
consisting of: Cysto-Urethroscope sheath, obturator and luer-lock fitting (886.00)						
	Single sheath	Obturator single	Fr.	Color code	Capacity (Fr.)	1 Stopcock
86720251	86720255	86720257	12.5	green	5 Fr.	8672265
86720451	86720455	86720457	14.5	white	7 Fr.	

Ø	Viewing direction	Type	PANOVIEW telescope, distortion-free	
2.7 mm	30°	8672432	 	

Accessories:

Fiber light cable set, Ø 2.5 mm, 3.0 m long **806625301**




Consisting of:

Fiber light cable (80662530), adapter projector side (8095.07) and adapter endoscope side (809509)

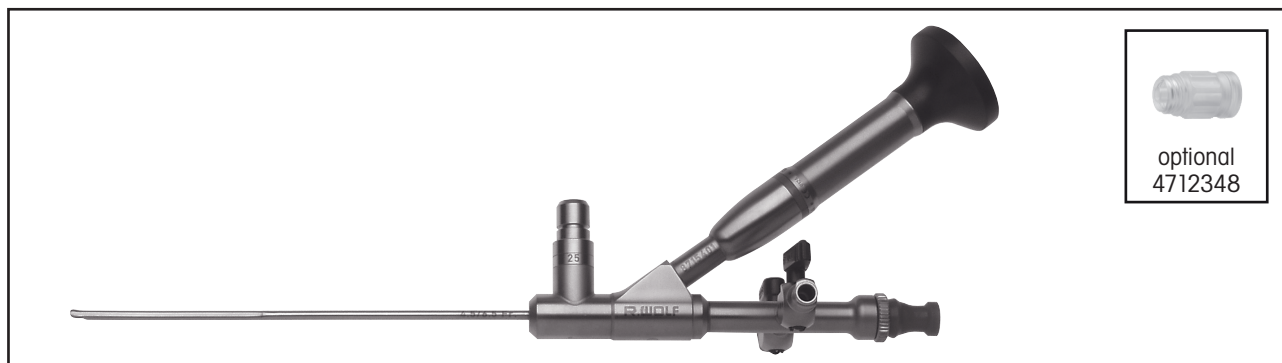
HF connecting cable see page 53.

Accessory instruments


SMALL CALIBER

		WL	Fr.	Types
	Flexible biopsy forceps	315 mm	5	829.05
		375 mm	7	829.07
	Flexible foreign body forceps	315 mm	5	828.05
		365 mm	7	828.07
	Flexible scissors with indented edge	375 mm	7	830.07

Miniature cysto-urethroscope, 4.5 / 6.5 Fr.



- ❑ Can be passed through the urethra without causing injury
- ❑ The use of traumatizing bougies to permit cysto-urethroscopy and urethrotomy is no longer necessary
- ❑ Excellent miniature fiber telescope, 5° viewing direction
- ❑ Efficient irrigation through the oval irrigation and instrument channel
- ❑ For accessory instruments up to 3 Fr.

	Viewing direction	Working channel	WL	Types
Miniature-Cysto-Urethroscope Set 4.5 / 6.5 Fr. consisting of: Miniature-cysto-urethroscope (8715.401), seal Ø 7.5 mm (89101, pack of 10), membrane retainer, (15256.393) and rubber cap 0.5 mm (88005)	5°	3.3 Fr.	120 mm	871540155
Hook Electrode, 2.4 Fr.			255 mm	824.03
Flexible foreign body forceps, 3 Fr.			230 mm	828.03
Biopsy forceps, 3 Fr.			230 mm	829.03
also: Sterile universal sealing valve , (pack of 5), for the insertion of accessory instruments from 1 – 6 Fr.				4712348

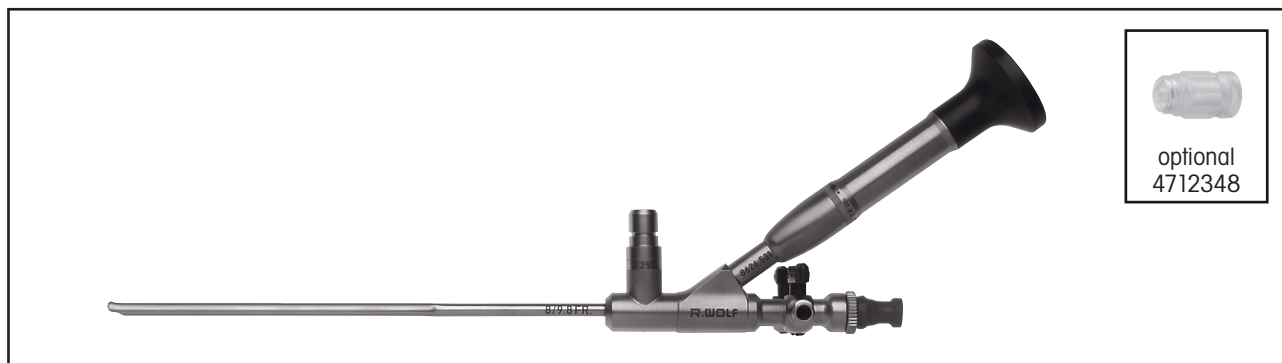
Accessories:

Fiber light cable set, Ø 2.5 mm, 3.0 m long **806625301**



Consisting of:

Fiber light cable (80662530), adapter projector side (8095.07) and adapter endoscope side (809509)

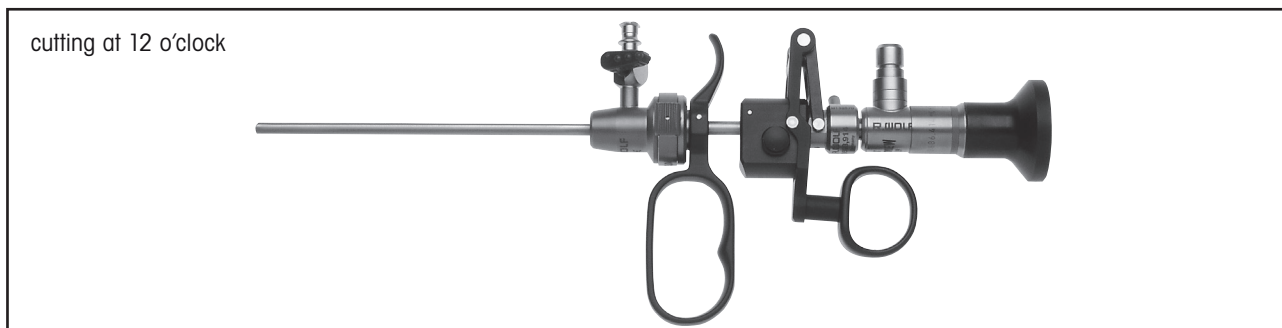
Operating cysto-urethroscope, 8 / 9.8 Fr. for reflux therapy








- ❑ Atraumatically shaped distal tip
- ❑ Excellent view with the PANOVIEW PLUS telescope
- ❑ High irrigation flow
- ❑ 5 Fr. irrigation and probe channel for flexible and rigid accessory instruments

	Viewing direction	Working channel	WL	Types
Compact universal operating Cysto-Urethroscope Set 8 / 9.8 Fr.	12°	5 Fr.	150 mm	8626.531
Coagulating button electrode, 5 Fr.			400 mm	823.05
also: Sterile universal sealing valve , (pack of 5), for the insertion of accessory instruments from 1 – 6 Fr.				4712348

Optical urethrotome *E-line* for telescope 1.9 mm



Sheath, with fixed irrigation tap and obturator				Adapter for examination and probing		Working element	
							
	Fr.	Color code	Capacity (Fr.)	1 Instrument port			
8693.0141	8.5	red	3	8688.264			
						8693.914	




Ø	Viewing direction	Types	PANOVIEW telescopes
1.9 mm	0°	8686.414	 

Accessories:

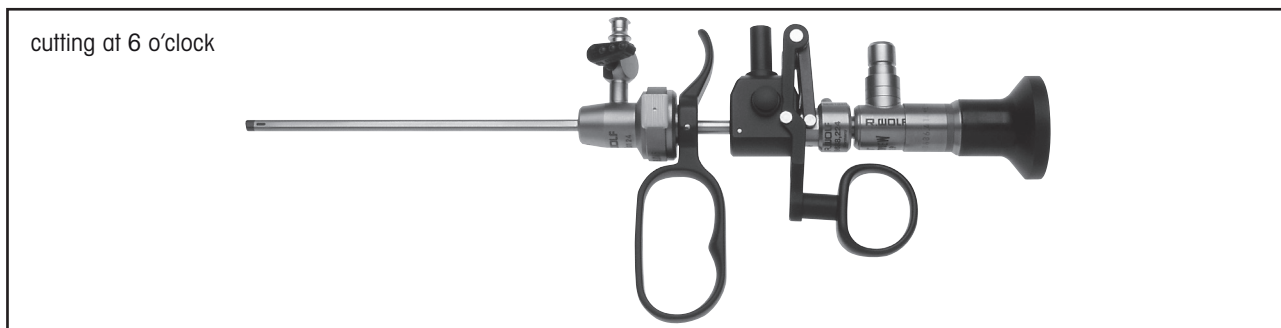
Fiber light cable set, Ø 2.5 mm, 3.0 m long **806625301**




Consisting of:



Fiber light cable (80662530), adapter projector side (8095.07) and adapter endoscope side (809509)

Stricture scalpels	Blade	Type
	ceramic / half moon	8693.961
	sickle-shaped	8693.93
	hook-shaped	8688.94

Resectoscope *E-line* for telescope 1.9 mm



Sheath, with fixed irrigation tap and obturator, distal insulated				Adapter for examination and probing	Working element passive cutting action
					
	Fr.	Color code	Capacity (Fr.)	1 Instrument port	
8688.0141	9	white	3	8688.264	
				8688.224	

∅	Viewing direction	Type	PANOVIEW telescopes, distortion-free
1.9 mm	0°	8686.414	 

Accessories:

Fiber light cable set, ∅ 2.5 mm, 3.0 m long **806625301**

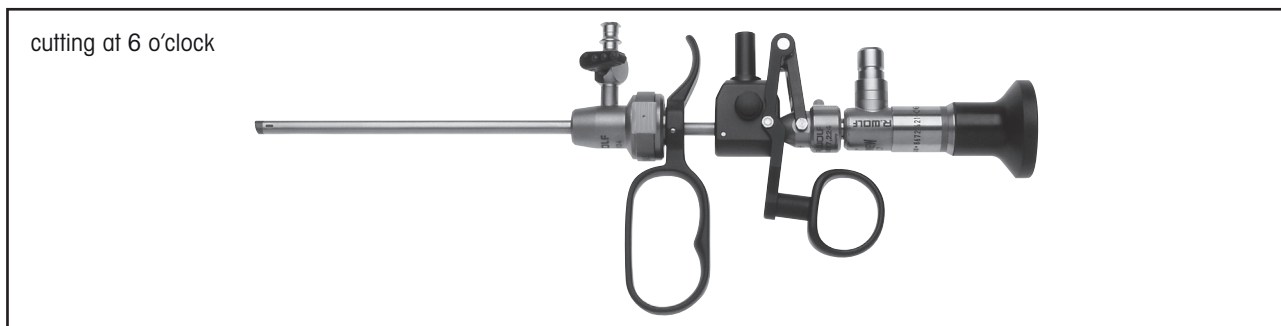
Consisting of:




Fiber light cable (80662530), adapter projector side (8095.07) and adapter endoscope side (809509)



Electrodes and stricture scalpels see page 119.

HF connecting cable see page 53.

Resectoscope *E-line* for telescope 2.7 mm



Sheath, with fixed irrigation tap and obturator, distal insulated			Adapter for examination (without tap)	Working element passive cutting action
				
	Fr.	Color code		
8677.0141	11.5	yellow	8677.254	8677.224

Ø	Viewing direction	Type	PANOVIEW telescope
2.7 mm	0°	8672.421	 

Accessories:

Fiber light cable set, Ø 2.5 mm, 3.0 m long **806625301**





Consisting of:




Fiber light cable (80662530), adapter projector side (8095.07) and adapter endoscope side (809509)

Electrodes and stricture scalpels see page 119.

HF connecting cable see page 53.



Electrodes and stricture scalpels for resectoscope with telescope 2.7 mm and 1.9 mm



Electrodes, sterile, single use, pack of 5		for resectoscope with telescope	
		1.9 mm	2.7 mm
	Cutting electrode	86889305US	84160305US
	Coagulating electrode	86889105US	84160105US
	Hook electrode	86889505US	84160905US
	Coagulating electrode angled 90° retrograde, sickle-shaped with distal ball	86889945US	

Stricture scalpels, for the cold cutting of urethral strictures, non-sterile, reusable, single piece		for resectoscope with telescope	
		1.9 mm	2.7 mm
	ceramic / half moon	8693.961	8677.961
	hook-shaped "Erlangen"	8688.94	
	sickle-shaped	8693.93	

MIDI-size Resectoscope



Resectoscope Sheath Set					
consisting of: Resectoscope sheath , obturator and luer-lock fitting (886.00)					
	Fr.	Color code	Sheath single	Obturator single	Working element "E-line", passive cutting
86770151	14.5	white	86770155	86770157	8677.224

Ø	Viewing direction	Type	PANOVIEW telescope, distortion-free
2.7 mm	0°	8672430	 

Accessories:


Fiber light cable set, Ø 2.5 mm, 3.0 m long **806625301**




Consisting of:

Fiber light cable (80662530), adapter projector side (8095.07) and adapter endoscope side (809509)

HF connecting cable see page 53.

Accessory instruments

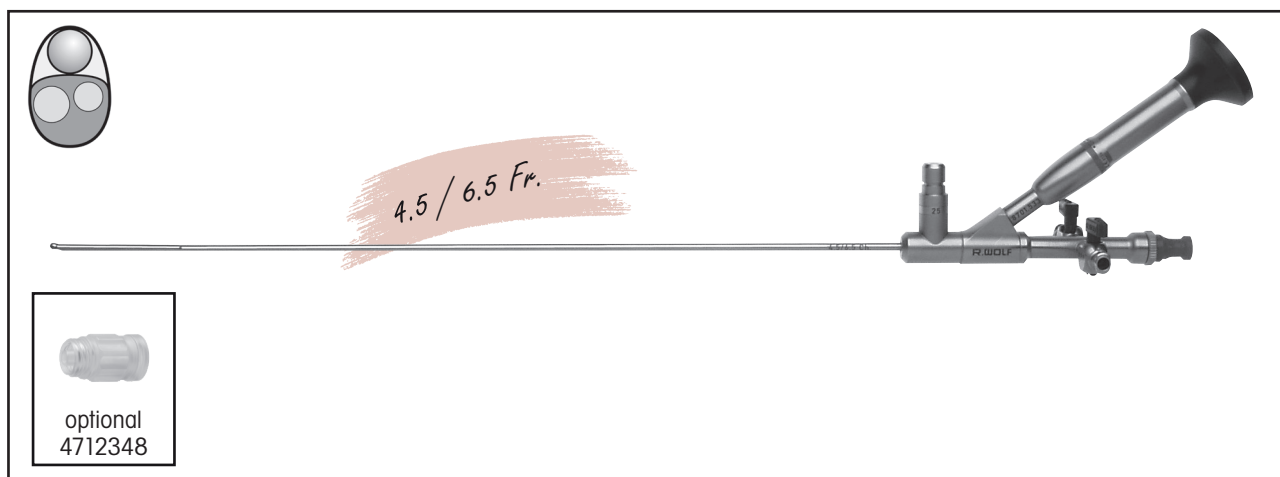
Stricture scalpels	Blade	Types
	lancet blade cutting edge on both sides	8677981

Electrodes		Types
	Coagulating electrode	8416011
	Cutting electrode	8416031
	Hook electrode	8416091

E-line

Fiber ureterorenoscope

with lateral eyepiece



SMALL CALIBER

- ❑ Stone therapy with laser fiber \varnothing 200/272 μ m.
- ❑ Particularly suitable for primary URS without prior placement of a double J catheter
- ❑ Excellent view thanks to the latest image guide technology and optimum irrigation flow

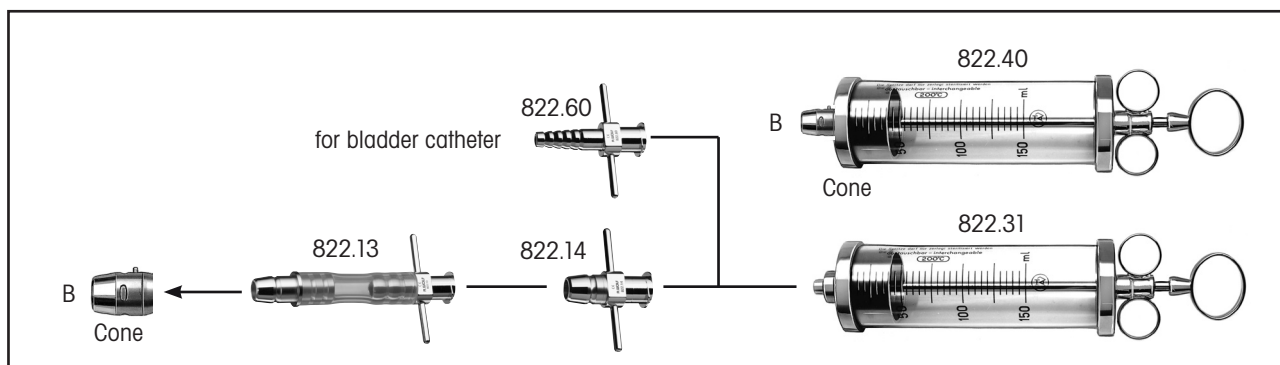
Fiber ureterorenoscope with oval irrigation and instrument channel, including automatic valve for inserting instrument	Working length	Total length	Telescope	Fr.	Irrigation and instrument channel Fr.	for accessory instruments Fr.	Type
Fiber ureterorenoscope	430 mm	570 mm	5°	4.5 / 6.5	3.15 x 3.15	1 x 3	8701.534

Accessories:


Foreign body forceps , flexible, 3 Fr., with alligator jaws, WL 530 mm	828.605
Biopsy forceps, flexible , 3 Fr., WL 530 mm	829.603
Handle	8702.261
Sterile universal sealing valve	4712348
Membrane seal (pack of 10)	89.101
Membrane retainer , standard	15256.393
Membrane retainer with Luer	15256.456

Accessory instruments see page 67.




Bladder syringe and evacuator



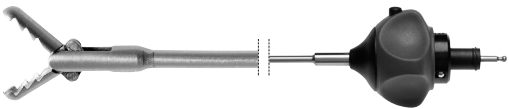

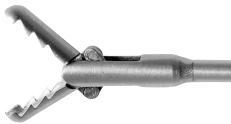

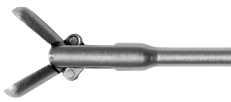



ACCESSORIES

	Connection cone	mL	Spare barrel	Types
Bladder syringe	For flexible or rigid adapters	150	82295	822.31
Flexible connector	B			822.13
Rigid connector	B			822.14
Rigid adapter for bladder syringe				822.60
Bladder syringe	B	150	82295	822.40
Adapter for Toomey syringes, with cone	B			845.11
Adapter for attaching the evacuator, with cone 				8558.14

Luer lock connector, stopcocks and irrigation adapter

	Inner channel	female	male
Luer lock connector 	Ø 3 mm		886.00
	Ø 4 mm		886.01
Luer lock connector 	Ø 3 mm	891.00	
	Ø 4 mm	15023.041	
Stopcock with Luer lock connector 	Ø 3 mm		884.00
	Ø 4 mm		884.01

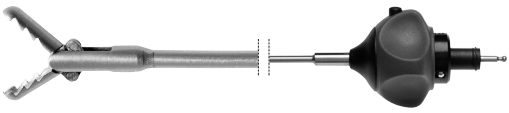




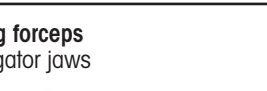

Rigid accessory instruments
micro modular system **HySafe**
360° rotatable, flushable, easy click

Insert with sheath					Handle with overload protection 	Complete Instrument • Insert with sheath • Handle Types
	Recommended fields of application	Types	Fr.	WL		
Grasping forceps with alligator jaws 	Cystoscopy	8642.6508	5	340	8083.001	8642.6502
Biopsy forceps, spoon 		8645.6508	7	325		8645.6502
Biopsy forceps 		8642.6008	5	340		8642.6002
Biopsy punch 		8645.6008	7	325		8645.6002
Micro scissors 		8642.6318	5	340		8642.6312
Hooked scissors 		8642.6818	5	340		8642.6812
		8992.6408*	7	310		8992.6402*

* on request

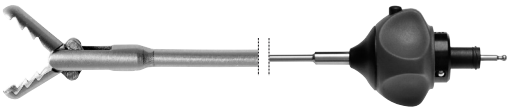

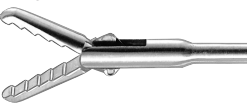


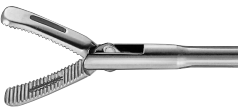


ACCESSORIES

Rigid accessory instruments
micro modular system **HySafe**
360° rotatable, flushable, easy click

<p>Insert with sheath</p> 					<p>Handle with overload protection</p> 	<p>Complete Instrument</p> <ul style="list-style-type: none"> • Insert with sheath • Handle <p>Types</p>
<p>Biopsy forceps</p> 	<p>Recommended fields of application</p> <p>Ureterorenoscopy</p>	<p>Types</p>	<p>Fr.</p>	<p>WL</p>	<p>8083.001</p>	<p>8952.6002</p>
<p>Grasping forceps with mouse jaws</p> 		<p>8952.6008</p>	<p>5</p>	<p>550</p>		<p>8952.6002</p>
<p>Grasping forceps with alligator jaws</p> 		<p>8952.6118</p>	<p>4</p>	<p>550</p>		<p>8952.6112</p>
<p>Grasping forceps with alligator jaws</p> 		<p>8959.6218</p>	<p>5</p>	<p>425</p>		<p>8959.6212</p>
<p>Grasping forceps with alligator jaws</p> 		<p>8952.6218</p>	<p>5</p>	<p>550</p>		<p>8952.6212</p>
		<p>8959.6808</p>	<p>5</p>	<p>425</p>		<p>8959.6802</p>
	<p>8954.6808</p>	<p>5</p>	<p>550</p>	<p>8954.6802</p>		
	<p>8952.6508</p>	<p>5</p>	<p>550</p>	<p>8952.6502</p>		



ACCESSORIES

Rigid accessory instruments
micro modular system **HySafe**
360° rotatable, flushable, easy click

Insert with sheath					 Handle with overload protection	Complete Instrument • Insert with sheath • Handle Types
	Recommended fields of application	Types	Fr.	WL		
Stone grasping forceps with alligator jaws 	Nephroscopy	8962.6008	10.5	350	8083.001	8962.6002
		8962.6048	12	340		8962.6042
Stone grasping forceps angled distal tip, with alligator jaws 		8962.6028	9	355		8962.6022
Grasping forceps with alligator jaws 		8962.6108	10.5	350		8962.6102
Stone grasping forceps with finely serrated jaws, peanut shape 		8962.6078	12	340		8962.6072
Stone grasping forceps 	8962.6058	12	340	8962.6052		
Grasping forceps with alligator jaws 	Miniature nephroscopy	8642.6508	5	340		8642.6502






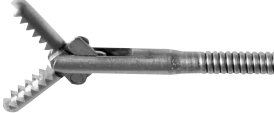

ACCESSORIES

Rigid forceps

		Fields of application	Working Length	Fr.	Type
	Stone grasping forceps with serrated jaws	Intra-renal stone surgery	275 mm	8	8280.22
	Stone grasping forceps with sharp jaws	Intra-renal stone surgery	275 mm	6	8280.23



ACCESSORIES

Flexible forceps and scissors

		Fields of application	Working length	Fr.	Type
	Biopsy forceps	Cystoscopy	230 mm	3	829.03
			315 mm	5	829.05
			375 mm	7	829.07
			325 mm	10	829.10
	Biopsy forceps	Ureterorenoscopy, nephroscopy	550 mm	5	829.051
	Biopsy forceps	Ureterorenoscopy	530 mm	3	829.603
			920 mm	3	829.601
	Biopsy forceps	Ureterorenoscopy	550 mm	3.5	8953.60
	Foreign body forceps	Cystoscopy	230 mm	3	829.03
			315 mm	5	828.05
			365 mm	7	828.07
			325 mm	10	828.10
	Foreign body forceps	Ureterorenoscopy, nephroscopy	315 mm	5	829.05
			375 mm	7	829.07
	Foreign body forceps	Ureterorenoscopy	325 mm	10	829.10



ACCESSORIES

Flexible forceps and scissors

		Fields of application	Working Length	Fr.	Type
	Scissors, wave shaped	Cystoscopy	375 mm	7	830.07
	Mouse-tooth grasping forceps	Cystoscopy	550 mm	5	8735.685
			550 mm	6.5	8736.685

ACCESSORIES

Electrodes

		Fields of application	Working Length	Fr.	Type
	Coagulation electrode , flexible	Ureterorenoscopy	600 mm	5	8599.80
	Button electrode , flexible unipolar	Cystoscopy	400 mm	4	823.04
				5	823.05
				6	823.06
				10	823.10
		Ureterorenoscopy	580 mm	3	823.031

ACCESSORIES