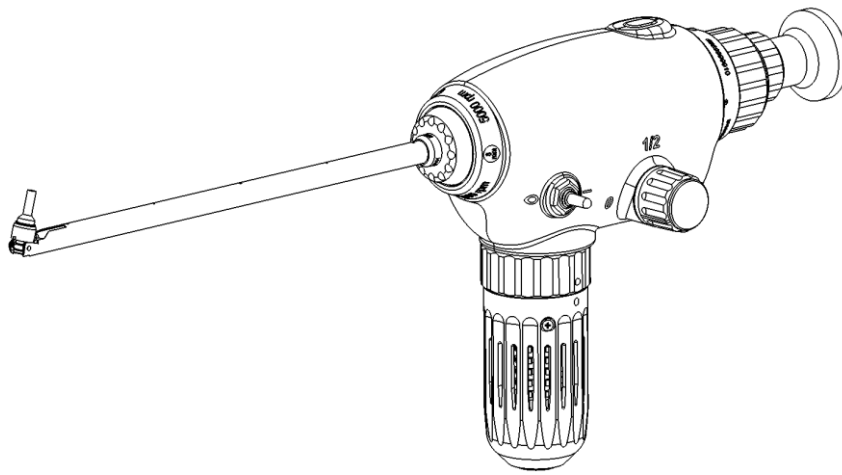


Richard Wolf

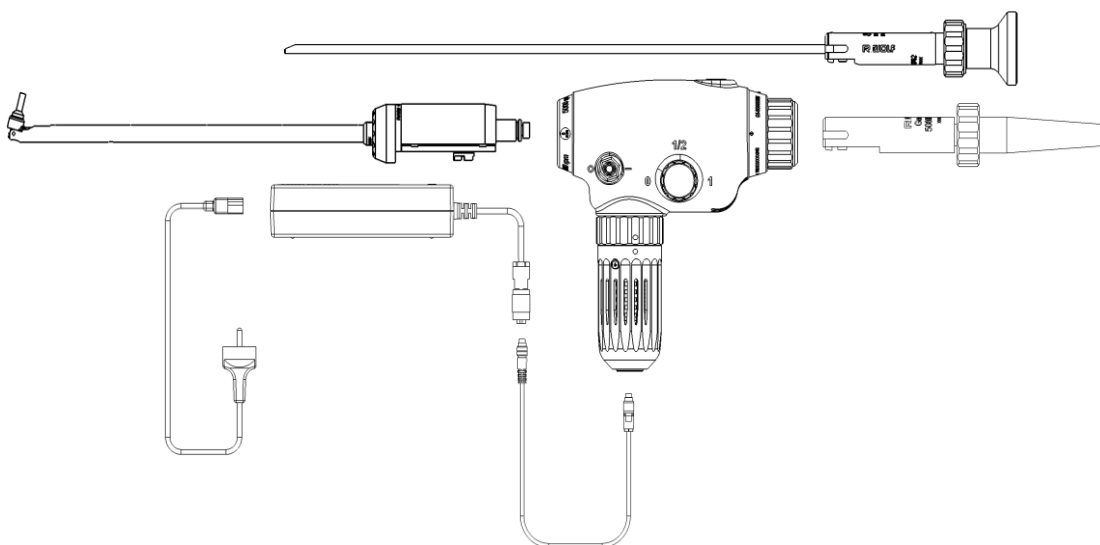
Blending Scope TBS-HR

Modular System Overview & Data

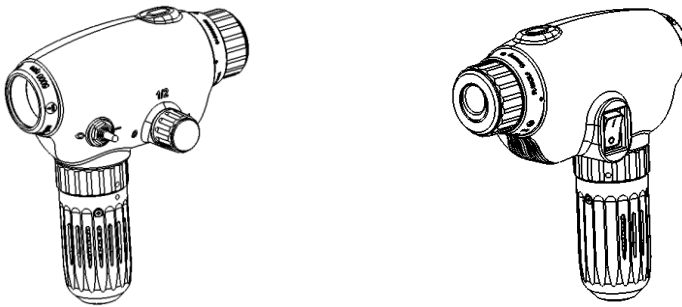


An operational unit of the Richard Wolf Blending Scope consists of:

1. Blending Power Handle with integrated LEDs (available for 2 working diameters)
2. Blending Cartridge (available for 2 working diameters, various working lengths, various drive head lengths)
3. Optical system, either a rigid borescope for direct view plus optional camera operation or a videoscope via a Flex Scope Adapter
4. Power supply + accessories

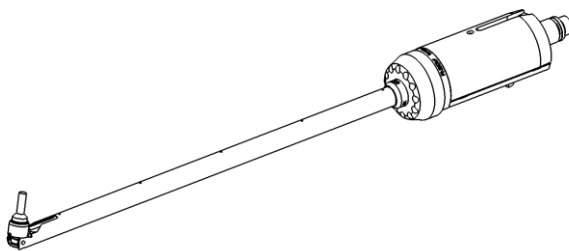


Richard Wolf Blending Power Handles



Type No.	For Blending Cartridge Diameter	Speed
5 06999 9910	6 mm	0 – 5 000 rpm
5 06999 9911	6 mm	0 – 20 000 rpm
5 08999 9910	8 mm	0 – 5 000 rpm
5 08999 9911	8 mm	0 – 20 000 rpm

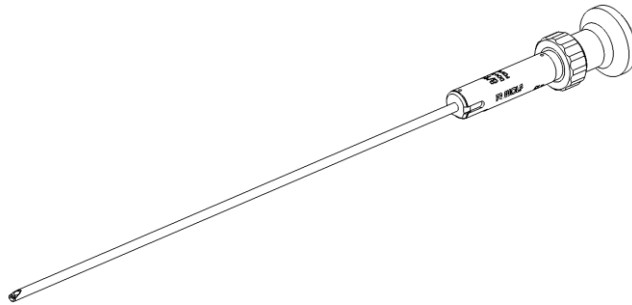
Richard Wolf Blending Cartridges



Type No.	Working Diameter	Working Length	Drive Head Length
5 06014 9906	6 mm	140 mm	6.5 mm
5 06037 9906	6 mm	370 mm	6.5 mm
5 06037 9806	6 mm	370 mm	6.5 mm
5 08019 9907	8 mm	185 mm	7.5 mm
5 08033 9907	8 mm	330 mm	7.5 mm
5 08033 9910	8 mm	330 mm	10.0 mm
5 08044 9910	8 mm	440 mm	10.0 mm
5 08044 9930	8 mm	440 mm	30.0 mm
5 08058 9910	8 mm	580 mm	10.0 mm
5 08058 9930	8 mm	580 mm	30.0 mm
5 08070 9910	8 mm	700 mm	10.0 mm
5 08070 9930	8 mm	700 mm	30.0 mm

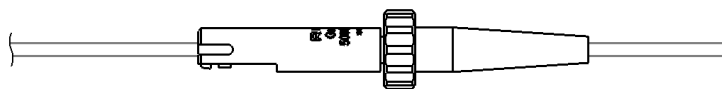
extended forward deflection

Borescopes for TBS-HR



Type No.	For Cartridge Diameter	For Cartridge Working Length	Direction of View	Field of View
627014 7762	6 mm	140 mm	70°	73°
627037 7762	6 mm	370 mm	70°	73°
627037 7462	6 mm	370 mm	45°	75°
604019 8762	8 mm	185 mm	70°	78°
604033 8762	8 mm	330 mm	70°	80°
604044 8762	8 mm	440 mm	70°	80°
604044 4762	8 mm	440 mm	70°	40°
604058 8762	8 mm	580 mm	70°	80°
604058 4762	8 mm	580 mm	70°	40°
604070 8762	8 mm	700 mm	70°	80°
604070 4762	8 mm	700 mm	70°	40°

Flex Scope Adapter



Type No.	For Blending Power Handle and Cartridge Diameter	Matching Videoscope Diameter
5 08000 9901	8 mm	3.8 – 4.0mm

Power Supply and Accessories

Type No.		
5 00024 9900	Power Supply	Input: 100 -240 VAC / 50-60 Hz Output: 24 VDC
5 00024 9910	Power Cable	connects power supply to power handle
244003 A	Power Cord	EU standard 3-pin
244003 D	Power Cord UK	UK standard 3-pin
244003 K	Power Cord US	US standard 3-pin
15244 079	Hook Tool	for belt replacement working length < 250 mm
15244 035	Hook Tool	for belt replacement working length < 500 mm
15244 076	Hook Tool	for belt replacement working length < 750 mm
9500043	Spanner	for securing tool tips (bits) on 8mm Cartridges
9500045	Screwdriver	flat 2 mm
9500046	Screwdriver	flat 3 mm
9500047	Screwdriver	Philips
9500048	Screwdriver	Torx T8
3 13005 91	System Case	heavy duty ruggedized outdoor case
1 48000 96	Angled Attachment	enables direct view access in confined space
15051 030	Eye Piece Cup	(type Richard Wolf industrial) mandatory for 1 48000 96
85261 272	RIWO-lens	C-mount, f = 27 mm, for camera adaptation
5257 271	RIWO angled lens	C-mount, f = 27 mm, for camera adaptation in confined space