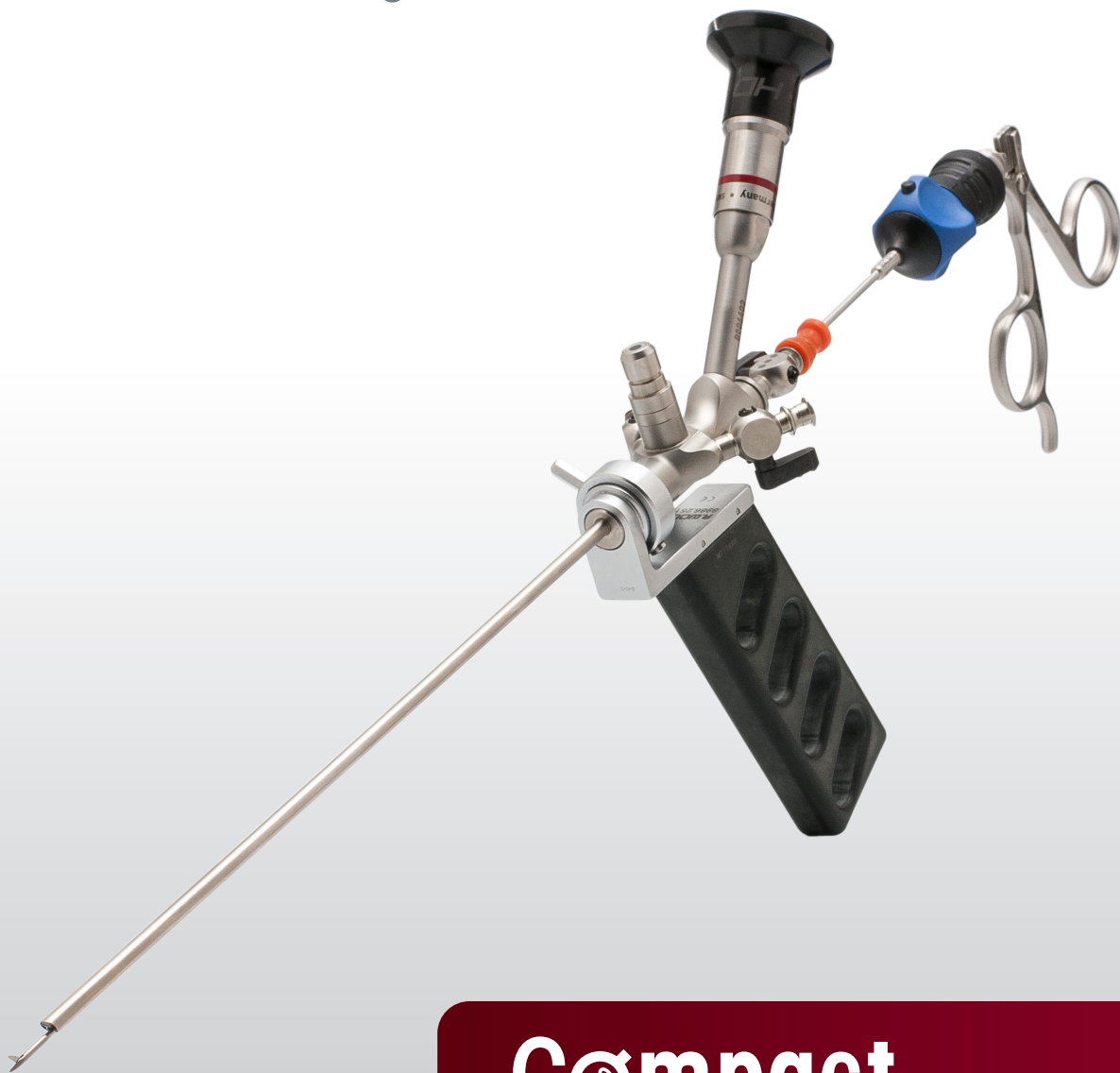


Exceptional Image Quality in a Smaller Design



Compact Hysteroscopes

Slim 3.9 mm outer diameter
for reduced dilation

Compact Hysteroscopes

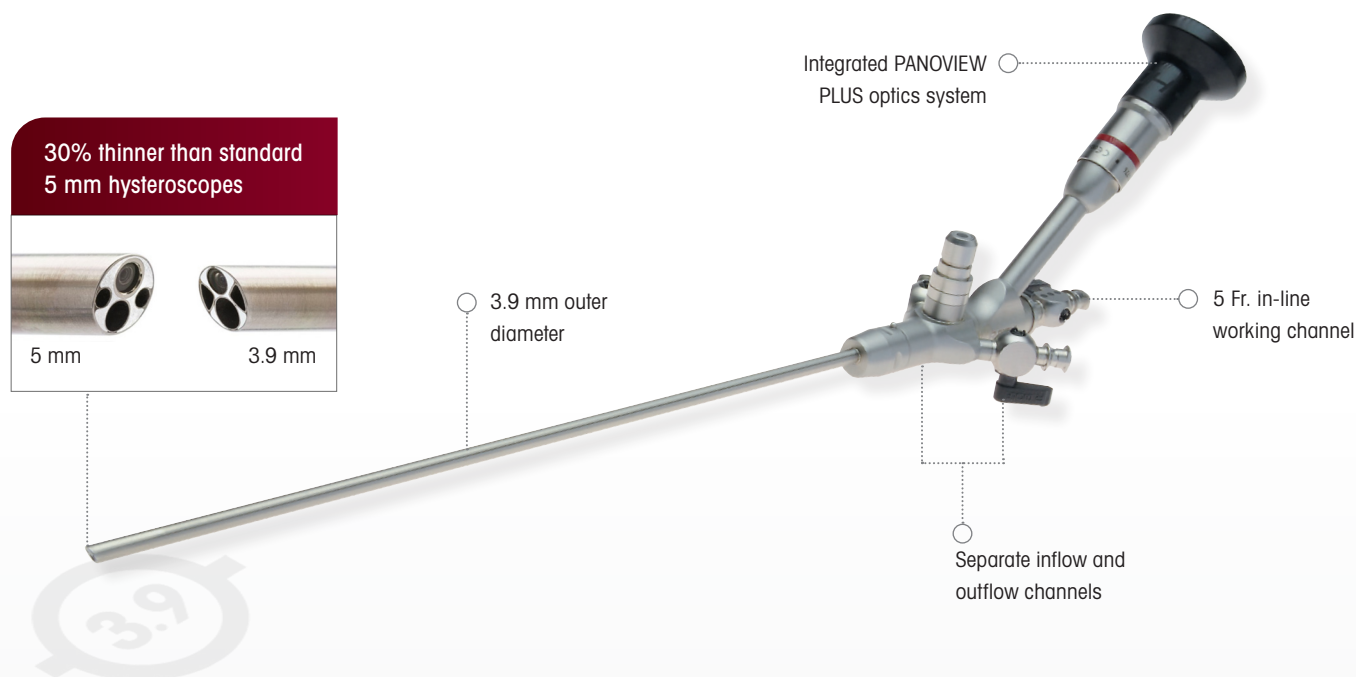


spirit of excellence

Slim 3.9 mm outer diameter for reduced dilation

The 3.9 mm, all-in-one, single piece design Compact Hysteroscope features:

- True, continuous flow for brilliant images
- Rod lens optics system for superior image quality
- Built-in, 5 Fr. in-line working channel for expanded treatment options
- Separate inflow and outflow channels for optimized flow dynamics and visibility throughout the entire procedure



Compact Hysteroscopes

Outer Diameter	Angle of View	Working Channel	Working Length (WL)	Product Number
3.9 mm	30°	5 Fr. (in-line)	217 mm	8986402
5.0 mm	20°	5 Fr. (in-line)	217 mm	8986.401

Recommended Accessories

Description	Product Number
5 Fr. HySafe Grasping Forceps Bundle (Alligator), Double Action	8642.6502
5 Fr. HySafe Scissors Bundle, Single Action	8642.6812
5 Fr. Single Piece Semi-Rigid Grasping Forceps (Alligator), Double Action	86422436
5 Fr. Single Piece Semi-Rigid Scissors (Pointed), Single Action	86422335
Handle for Hysteroscope	8986.251
Fiber Light Cable Bundle, 2.5 mm	806625301

GUARDIAN
Protecting Performance



SERVICE BY RICHARD WOLF